

WIRING & OPERATING THE ACTUATOR FOR ON-OFF AND FAILSAFE FUNCTION

WIRING DIAGRAM

Note: Above line is customer supplied

J3 ON-OFF ELECTRIC ACTUATOR

Power open, power close. Stays put on loss of external power. Power remains on at all times.

J3 FAILSAFE ELECTRIC ACTUATOR

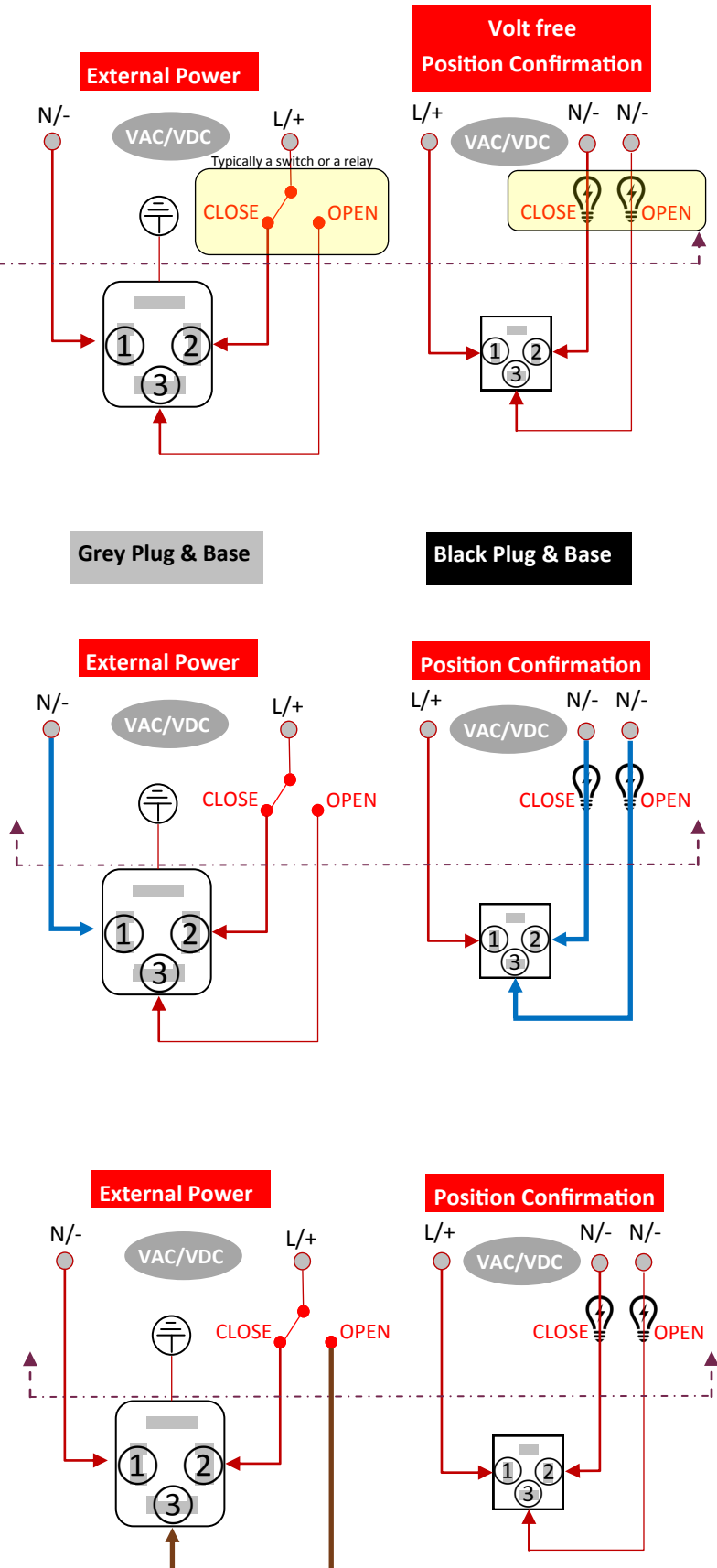
Fails to pre-set position on loss of external power. Power open, power close, fails to pre-set 'safe' position on loss of external power using internal industrial trickle charged rechargeable NiCad battery. Can be set to fail close (NC or normally closed) or fail open (NO or normally open) on loss of external power. The failsafe electric actuator moves to the position command applied at the time external power is restored.

Connecting:

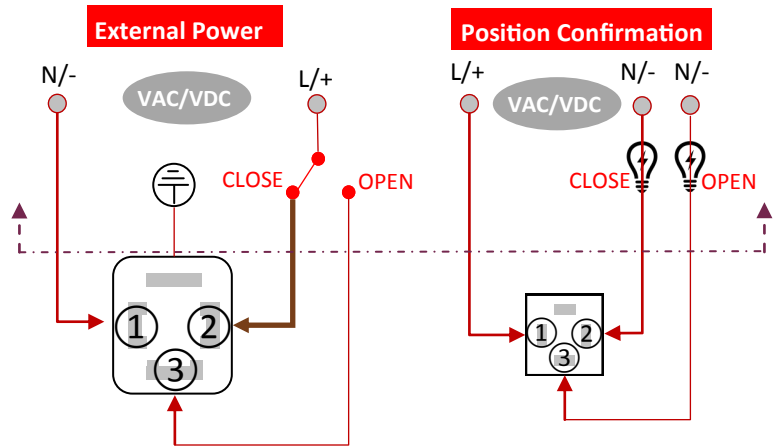
Make the **neutral (N)** connections

- 1 x External power Din plug, pin 1
- 1 x Open confirmation Din plug, pin 3
- 1 x Closed confirmation Din plug, pin 2

Make the **live (or positive +)** connection from the **open** contact from the switch to the external power Din plug, pin 3



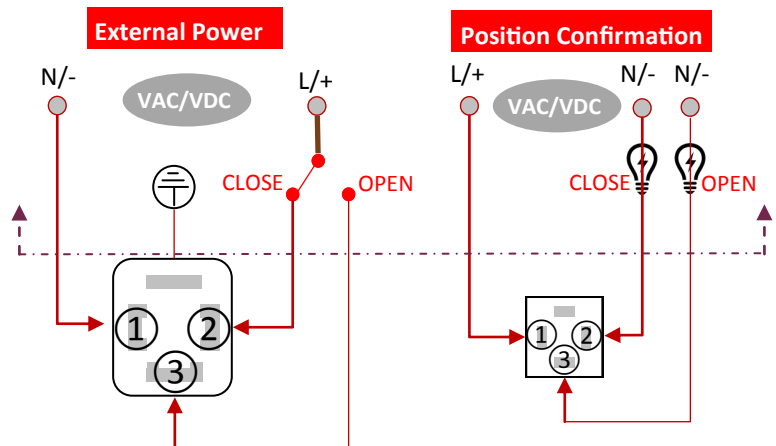
Make the **live (or positive +)** connection from the **close** contact from the switch to the external power Din plug, pin 2.



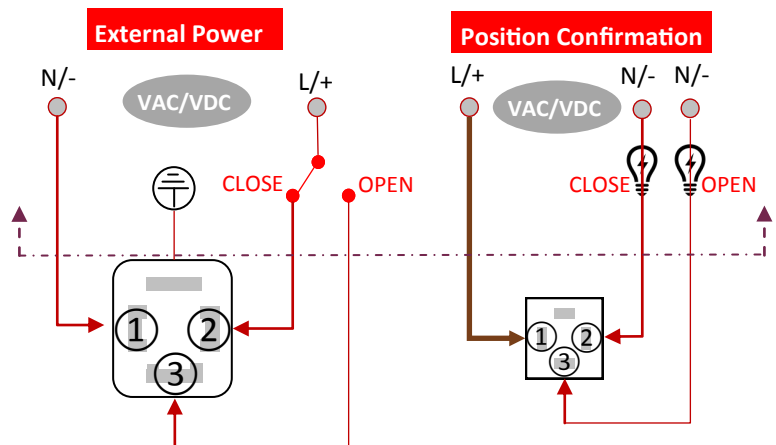
Grey Plug & Base

Black Plug & Base

Make the **live (or positive +)** connection to the switch



Make the **live (or positive +)** connection to the position confirmation Din plug, pin 1



OPERATING THE ACTUATOR for ON-OFF (power open - power close) or FAILSAFE applications:

TO CLOSE THE ACTUATOR -

Set the switch/ relay to **close**

Apply continuous external power (within the range specified on the actuator's ID label)

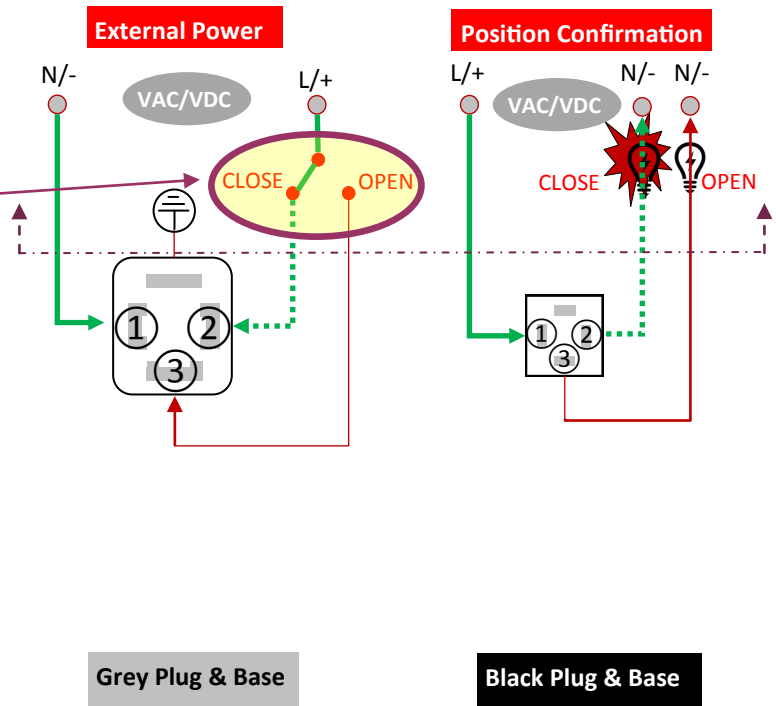
Neutral on pin 1

Power to pin 2



Actuator rotates **clockwise**. Power remains 'on' at all times.

Apply power to pin 1 of the volt free position confirmation plug for end of travel confirmation. This circuit is made around 5° ahead of the final closed position, so do not use this signal to cut the power to the motor otherwise the actuator will not fully close.



TO OPEN THE ACTUATOR -

Set the switch/ relay to **open**

Apply continuous external power (within the range specified on the actuator's ID label)

Neutral on pin 1

Power to pin 3



Actuator rotates **counter-clockwise**. Power remains 'on' at all times.

Apply power to pin 1 of the volt free position confirmation plug for end of travel confirmation. This circuit is made around 5° ahead of the final closed position, so do not use this signal to cut the power to the motor otherwise the actuator will not fully open.

