



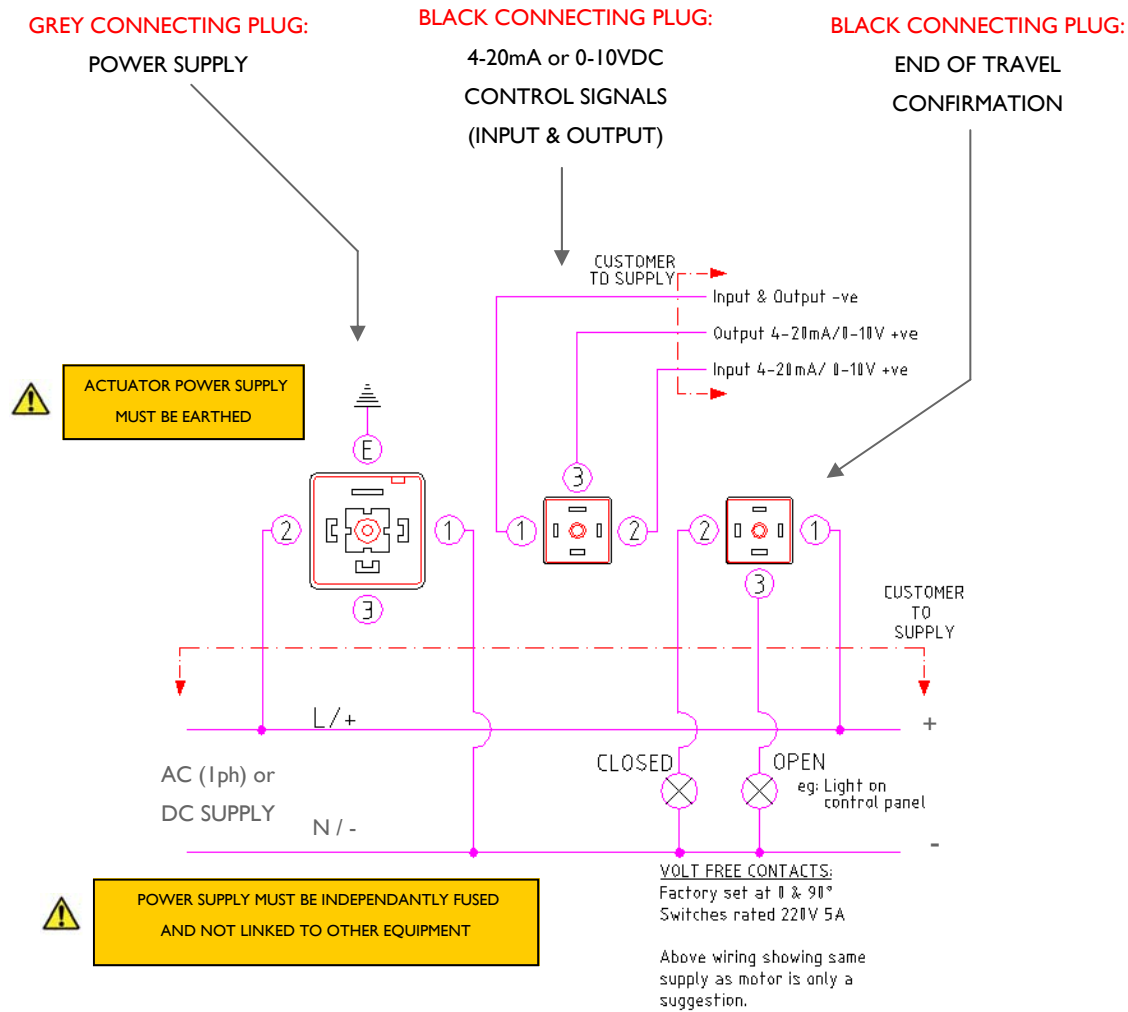
Model **J3**

Wiring Diagram - AC or DC



Doc: J3/STD.WD/02
Feb 2010

AC (1ph) OR DC SUPPLY - WIRING FOR **J3** MODULATING ACTUATORS



NB: READ INSTALLATION, OPERATION & MAINTENANCE INSTRUCTIONS BEFORE CONNECTING.

FUNCTION: MODULATING VERSION

Power open, power close - actuator movement controlled by input signal (4-20mA or 0-10VDC)
Standard operation: 4mA or 0V = actuator closed, 20mA or 10V = actuator open (can be reversed)
Standard operation: Actuator closes on loss of control signal, stays put on loss of mains power
Output signal (in same format as supply signal) provided as standard.