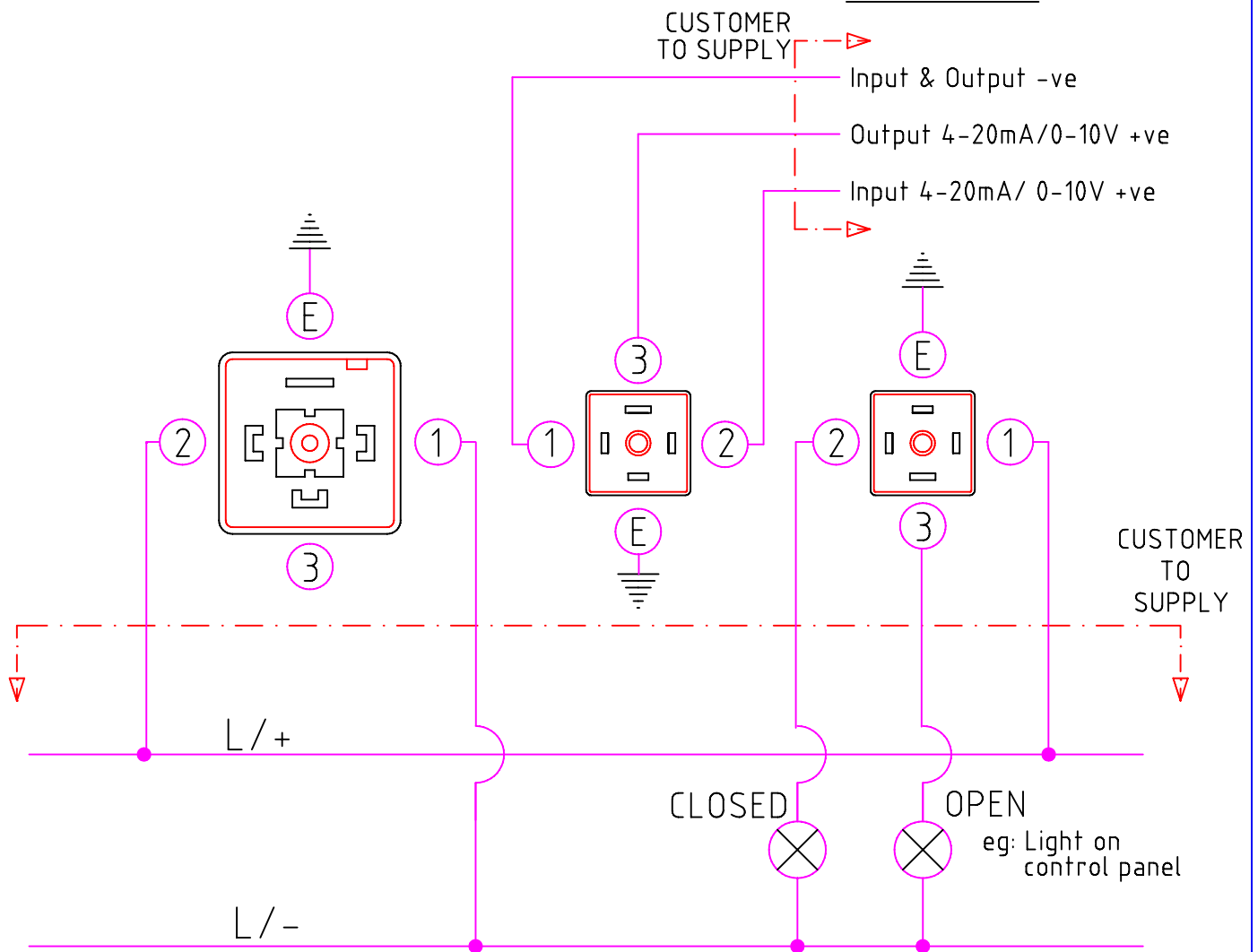


POWER CONNECTION

CONTROL CONNECTION

VOLT FREE CONTACT CONNECTION



Note 1:
DIN PLUG
ROTATED
BY 180 Deg

VOLT FREE CONTACTS:
Factory set at 0 & 90°
Switches rated 220V 5A

Above wiring showing same supply as motor is only a suggestion.

NB: READ INSTALLATION, OPERATION & MAINTENANCE INSTRUCTIONS BEFORE CONNECTING.

AC DIN PLUG WIRING DIAGRAM, ALL REVERSIBLE MODELS WITH DPS2000

J+J
ACTUATORS

Drawn By
MRG

Chk
DC

File Name
WACDPS

Scale
NTS

Dwg No.

WACDPS

Revision
3

Sheet
1/1

Date
28/07/2003