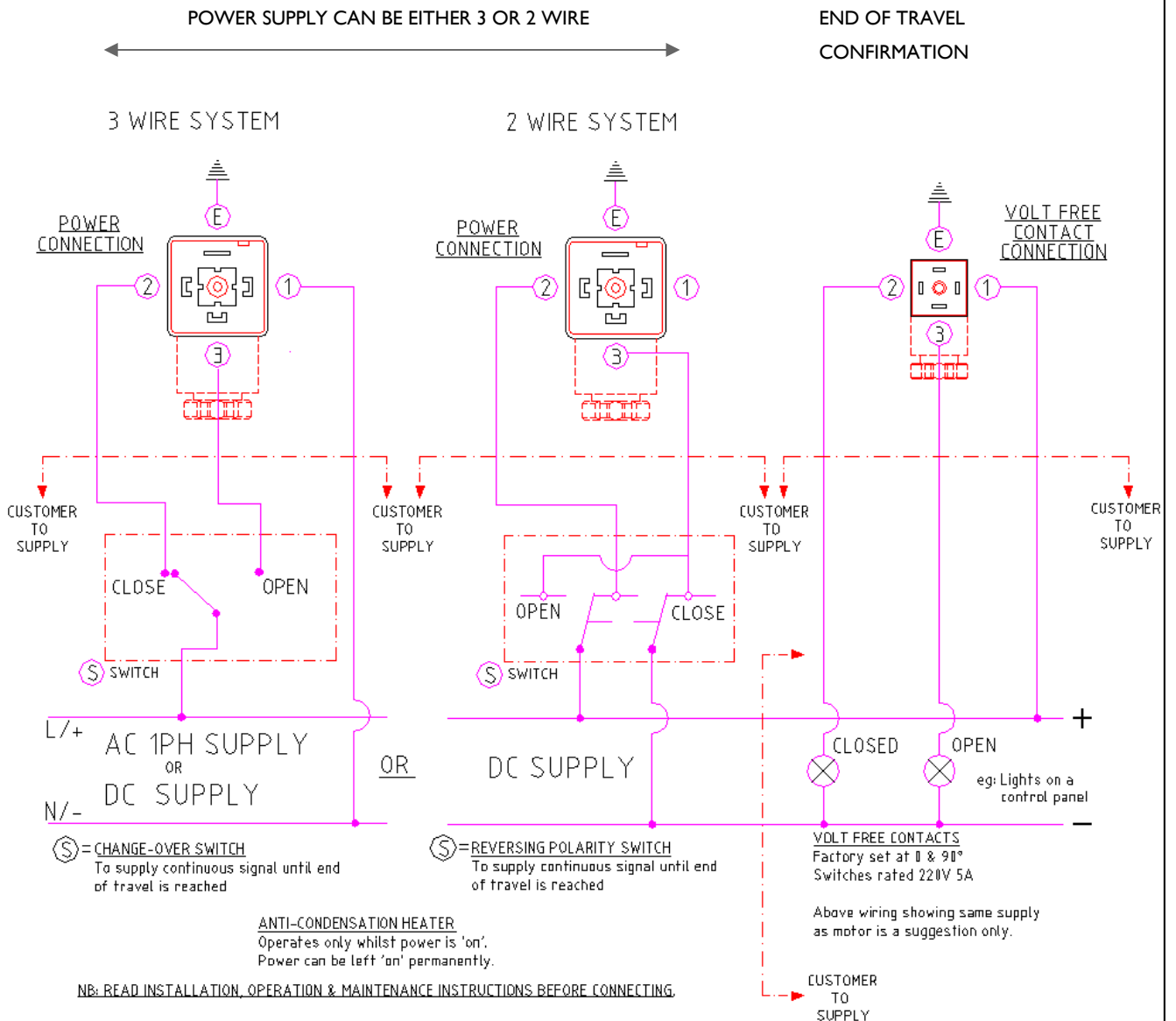


### AC (1ph) OR DC SUPPLY - WIRING FOR ON-OFF OR FAILSAFE ACTUATORS



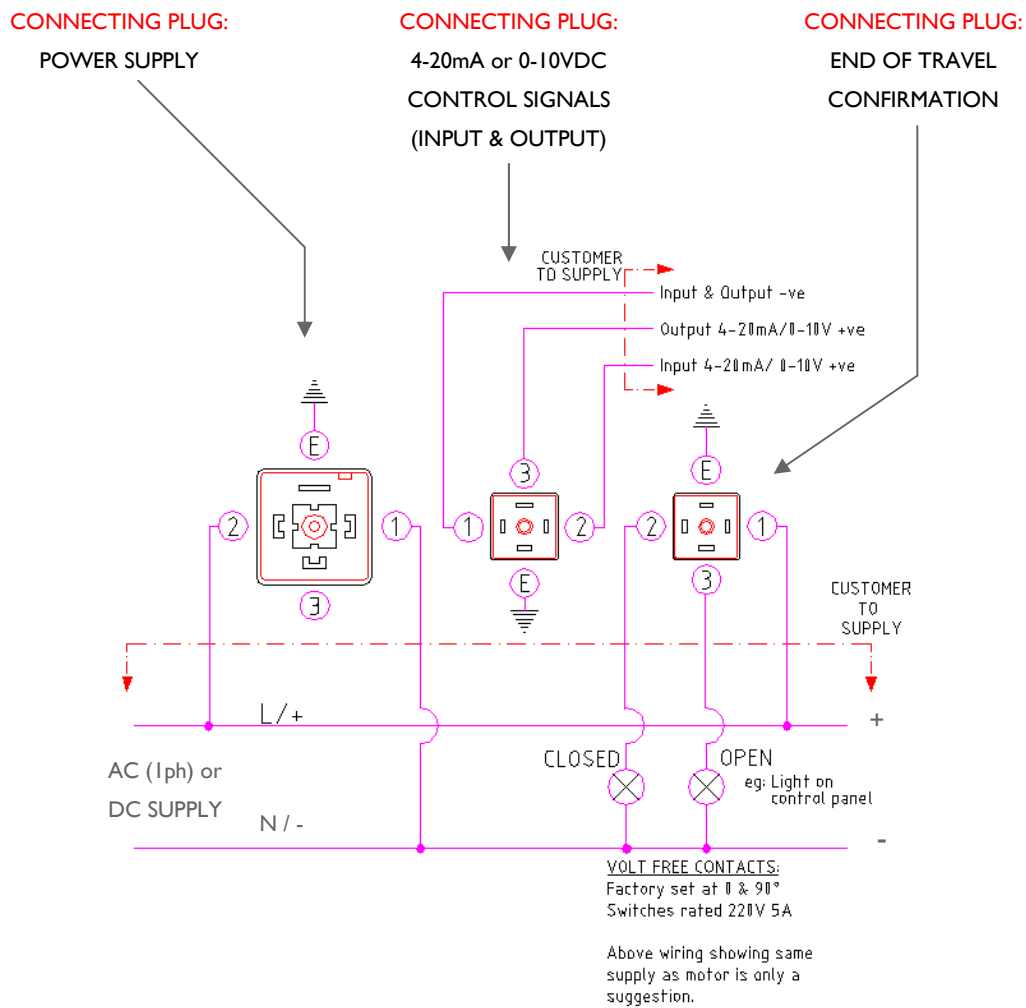
#### FUNCTION: ON-OFF VERSION

Power open, power close  
Stays put on mains power failure

#### FUNCTION: FAILSAFE VERSION

Power open, power close - trickle charges battery system in either open or closed position  
Actuator sent by battery power to pre-set failsafe position on power failure  
Actuator returns to pre-failure position on power resumption.  
Failsafe can be either NC (normally closed) or NO (normally open)

### AC (1ph) OR DC SUPPLY - WIRING FOR MODULATING ACTUATORS



NB: READ INSTALLATION, OPERATION & MAINTENANCE INSTRUCTIONS BEFORE CONNECTING.

#### FUNCTION: MODULATING VERSION

Power open, power close - actuator movement controlled by input signal (4-20mA or 0-10VDC)  
 Standard operation: 4mA or 0V = actuator closed, 20mA or 10V = actuator open (can be reversed)  
 Standard operation: Actuator closes on loss of control signal, stays put on loss of mains power  
 Output signal (in same format as supply signal) provided as standard.