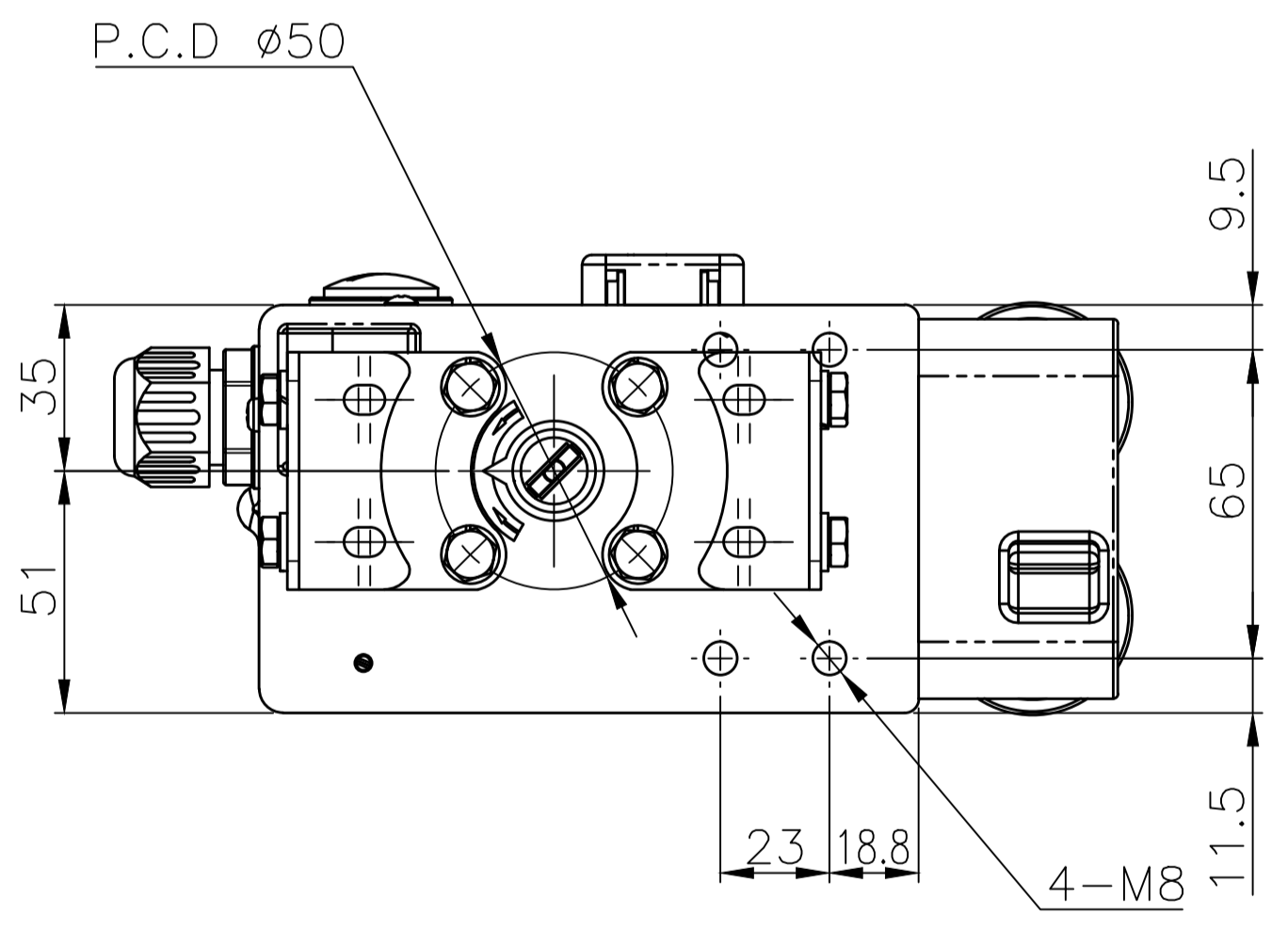
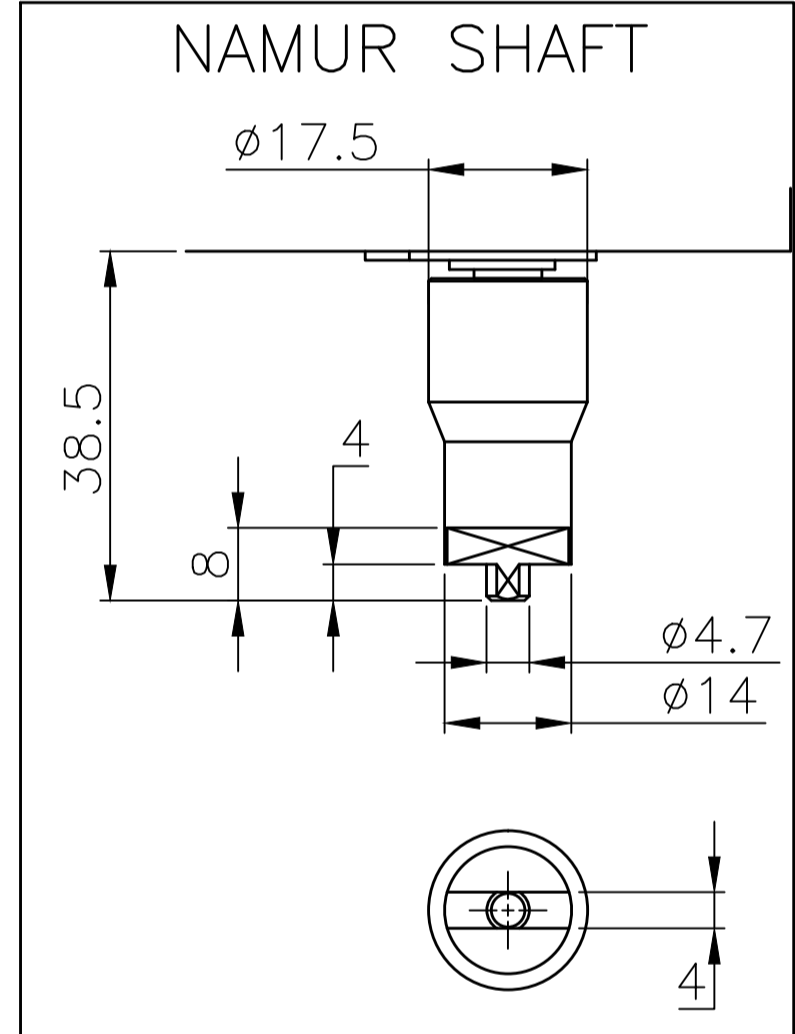
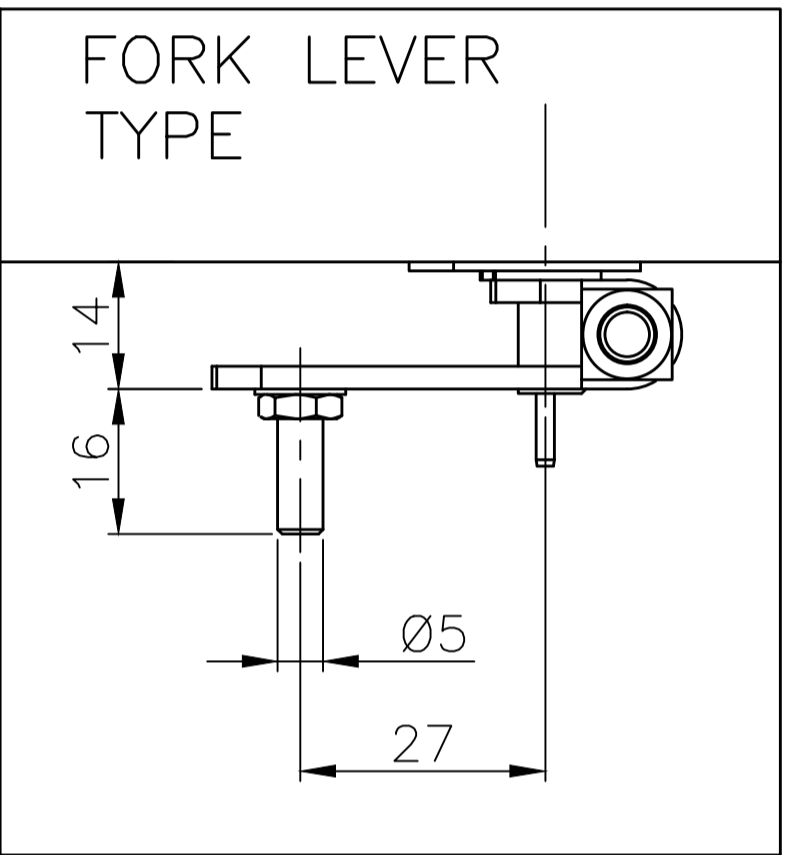
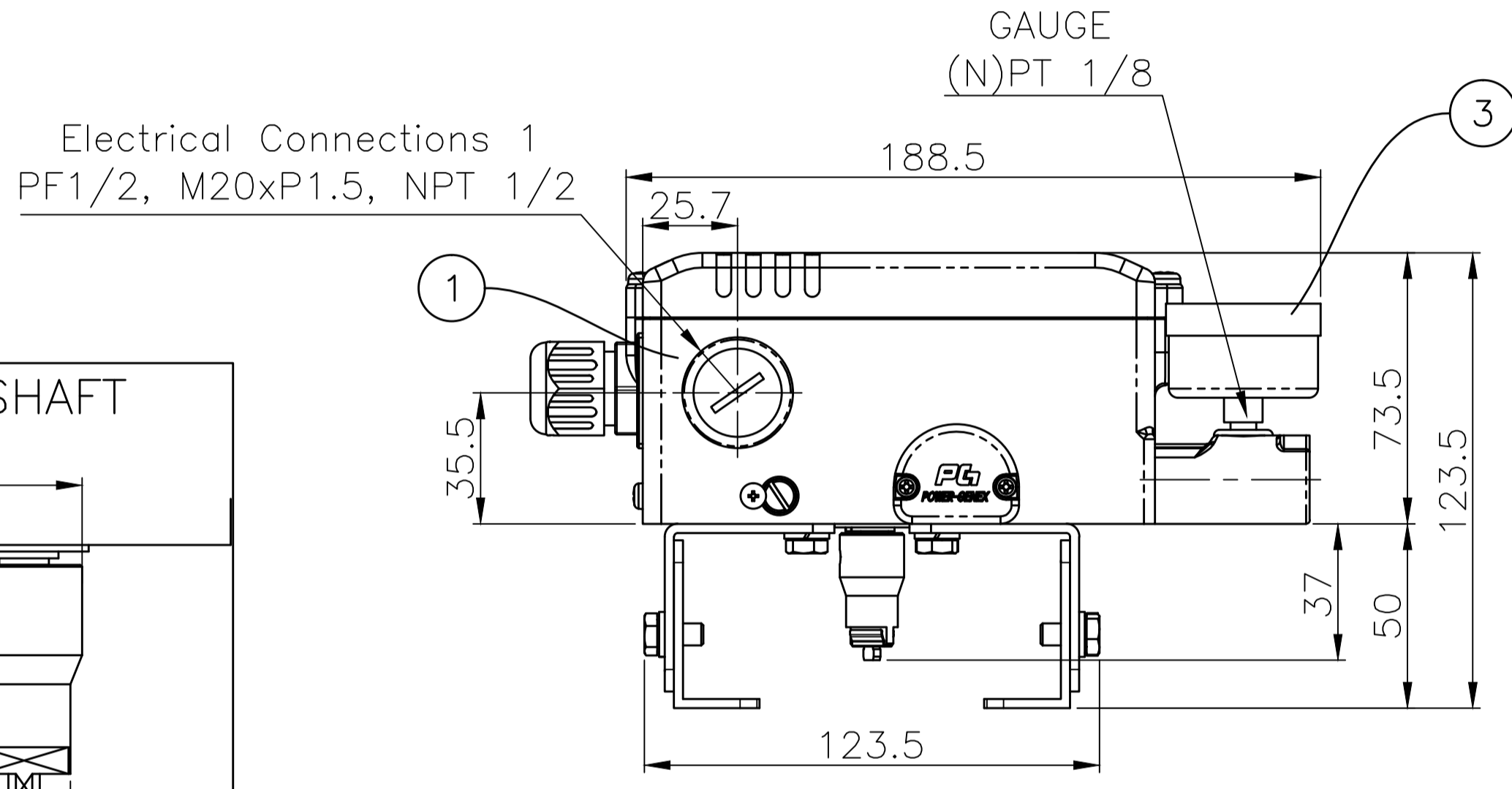
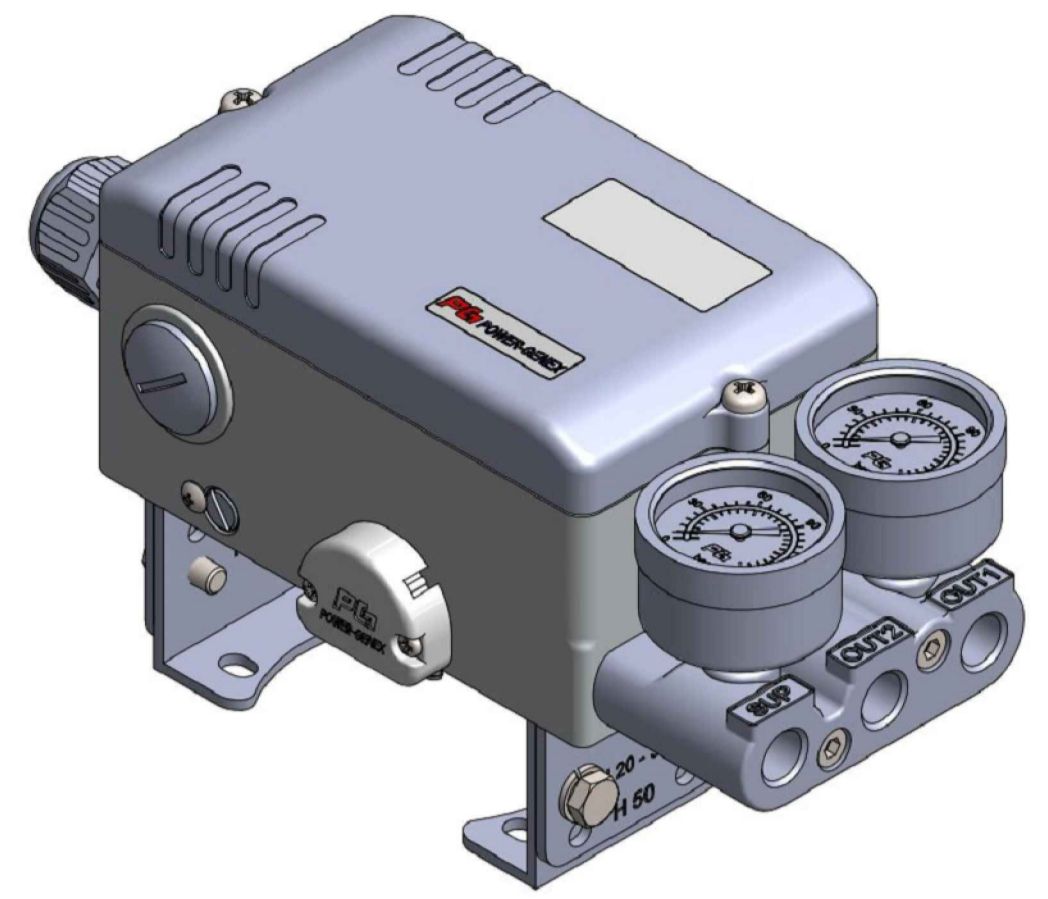
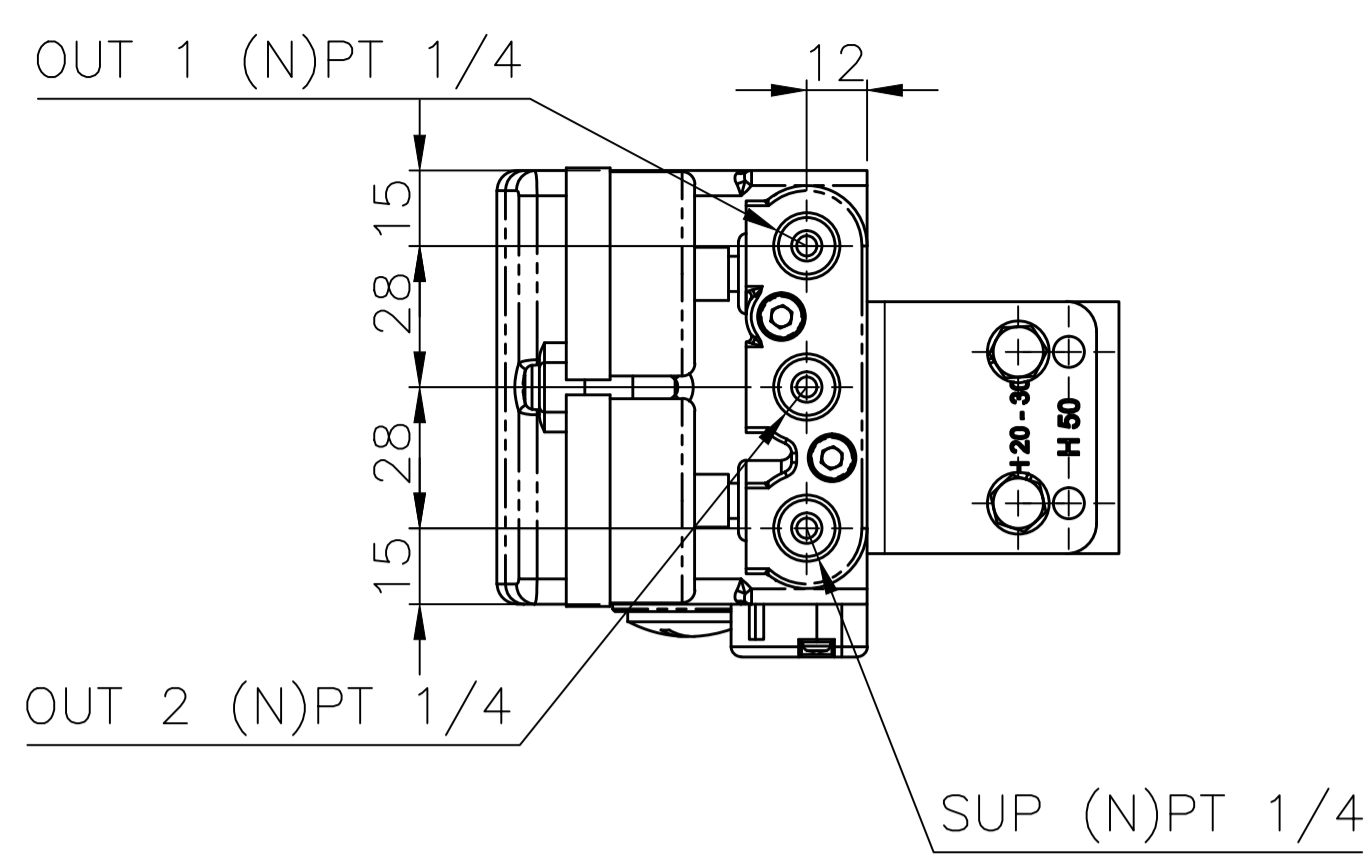
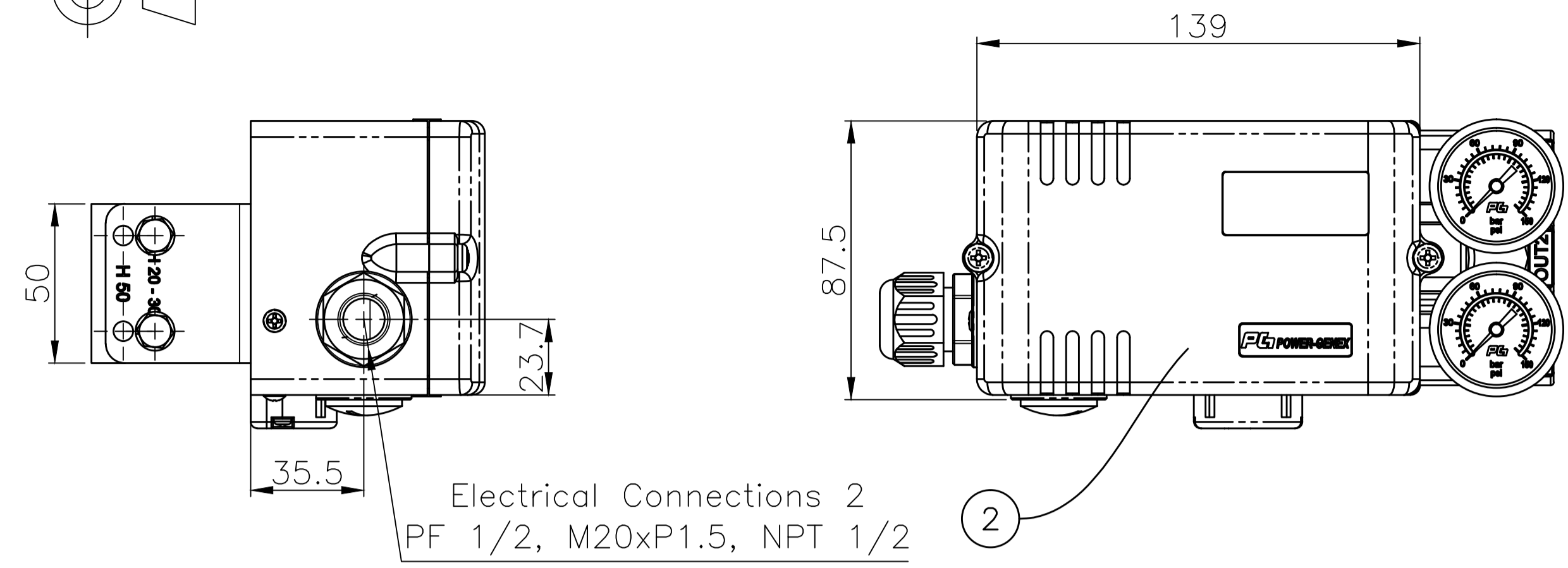


IF IN DOUBT ASK! DO NOT SCALE PRINT! DRAWING TO BS 8888



3	PRESSURE GAUGE	SUS304/ SUS316	2
2	BASE COVER	ALDC12/ SUS316	1
1	BASE BODY	ALDC12/ SUS316	1
NO.	PART NAME	MATERIAL	Q'Ty

PT	SENSITIVITY	±0.2% F.S.
	HYSTEREISIS	±0.5% F.S.
	LINEARTY	±0.5% F.S.
	PROTECTION	IP66
	ADJUSTMENT	AUTO CAL.
	LOAD RESISTANCE	MAX 1000Ω /30V DC
	OUTPUT SIGNAL	4~20mA DC
	SUPPLY VOLTAGE	12~30V DC
INPUT SIGNAL	2 WIRE	

-SPECIFICATIONS

Communication	WITHOUT	HART	Profibus-PA	Foundation Fieldbus
Input Signal Bus voltage	4 - 20 mA @ 24 VDC		9 - 32 VDC	
Min. / Max. Current	3.6 mA / 50mA		-	
Current Consumption	-		15mA	16mA
Voltage Drop (Resistance)	8.9 VDC (445Ω)	9.4 VDC (470Ω)	-	
Stroke / Angle	Linear type : 5 - 130 mm * Rotary type : 25 - 120°			
Air Supply Pressure	1.4 - 7.0 bar (20 - 100 psi), filtered, compressed dry and non-oiled to meet Class 3 of ISO 8573-1			
Output Pressure Range	0 - 100% of supply air pressure			
Air Capacity	80 l/min = 4.8 Nm ³ /h = 2.8 scfm (Sup = 1.4 bar) 233 l/min = 14 Nm ³ /h = 8.2 scfm (Sup = 6 bar)			
Air Consumption	2 l/min = 0.12 Nm ³ /h = 0.07 scfm (Sup = 1.4 ~ 6 bar)			
Characteristic	Linearity < ±0.3% F.S Hysteresis < 0.2% F.S		Sensitivity < 0.2% F.S Repeatability < 0.2% F.S	
Performance Characteristic	Linear, EQ % Quick open, User set (17 points)			
LCD Indication	4-digit LCD indicator			
Adjustable Speed	1 - 1000 (lowest 1, highest 1000)			
Scan Time	2ms			
Shut-off Value	Range 0 - 10% of position signal			
Valve Action	Direct action (DA) / Reverse action (RA)			
Operating Temperature	- 30 ~ +80°C (-22 ~ +176 °F) **			
Pneumatic Connections	PT(Rc) 1/4 or NPT 1/4			
Electrical Connections	2 x PF(G) 1/2 , NPT 1/2 , M20 x 1.5			
Protection Class	IP66, Intrinsically safe (IECEX / ATEX / KC Ex ia IIC T6/T5)			
Body Material	Aluminum die-cast / powder-painted			
Weight	ALDC : 1.6kg		* SUS316 : 3.9kg	

Protection Class

SS2R

- I : Intrinsically safe (IECEX Ex ia IIC T6/T5, ATEX Ex ia IIC T6/T5)
- K : intrinsically safe (KC Ex ia IIC T6/T5)
- W : Weatherproof to IP66

Feedback Lever	Gauges Block	By-pass	Position Feedback	Communication	Electrical Connections	Mounting Bracket
<input type="checkbox"/> F : Fork lever <input type="checkbox"/> N : Namur shaft (direct mounting)	<input type="checkbox"/> 0 : Not mounted <input type="checkbox"/> 1 : 6 bar (90psi) <input type="checkbox"/> 2 : 10 bar (150psi)	<input type="checkbox"/> N : None (standard) <input type="checkbox"/> Y : Yes (auto/manual screw)	<input type="checkbox"/> N : None <input type="checkbox"/> O : Position transmitter (4 ~ 20mA output signal) <input type="checkbox"/> L : 2 x alarm limit <input type="checkbox"/> S : 2 x micro switch (SPDT) <input type="checkbox"/> M : 0 + L <input type="checkbox"/> Q : 0 + S	<input type="checkbox"/> N : None <input type="checkbox"/> H : HART <input type="checkbox"/> P : Profibus PA <input type="checkbox"/> F : Foundation Fieldbus	<input type="checkbox"/> 3 : PT(Rc) 1/4 - PF(G)1/2 <input type="checkbox"/> 4 : NPT 1/4 - NPT 1/2 <input type="checkbox"/> 5 : PT(Rc) 1/4 - M20x1.5	<input type="checkbox"/> N : None <input type="checkbox"/> L : IEC 60534-6-1 (for SS2L) <input type="checkbox"/> R : IEC 60534-6-2 (for SS2R) VDI/VDE 3845



J+J Automation UK Limited
 Unit 5-6 Lime Tree Business Park
 Lime Tree Road, Matlock, Derbyshire DE4 3EJ
 England, UK.
 Tel No: (+44) 1629 55577
 Email: info@jjautomation.com
 www.jjautomation.com



TITLE Exia ROTARY E/P POSITIONER MULTI-POSITION BRACKET

JRM	DKC	SBW	NEW	23.08.17
APPROVED BY	CHECKED BY	DRAWN BY	ISSUE	CHANGE NO.
PG-SS2R-WITH MULTI-SIZE BRACKET-CAD				DIM ARE mm
PG-SS2R-WITH MULTI-SIZE BRACKET-CAD				SCALE 1:1.5
DRAWING NUMBER				SHEET 1 OF 1