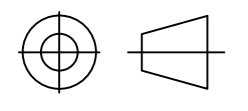


3rd. Angle Projection.

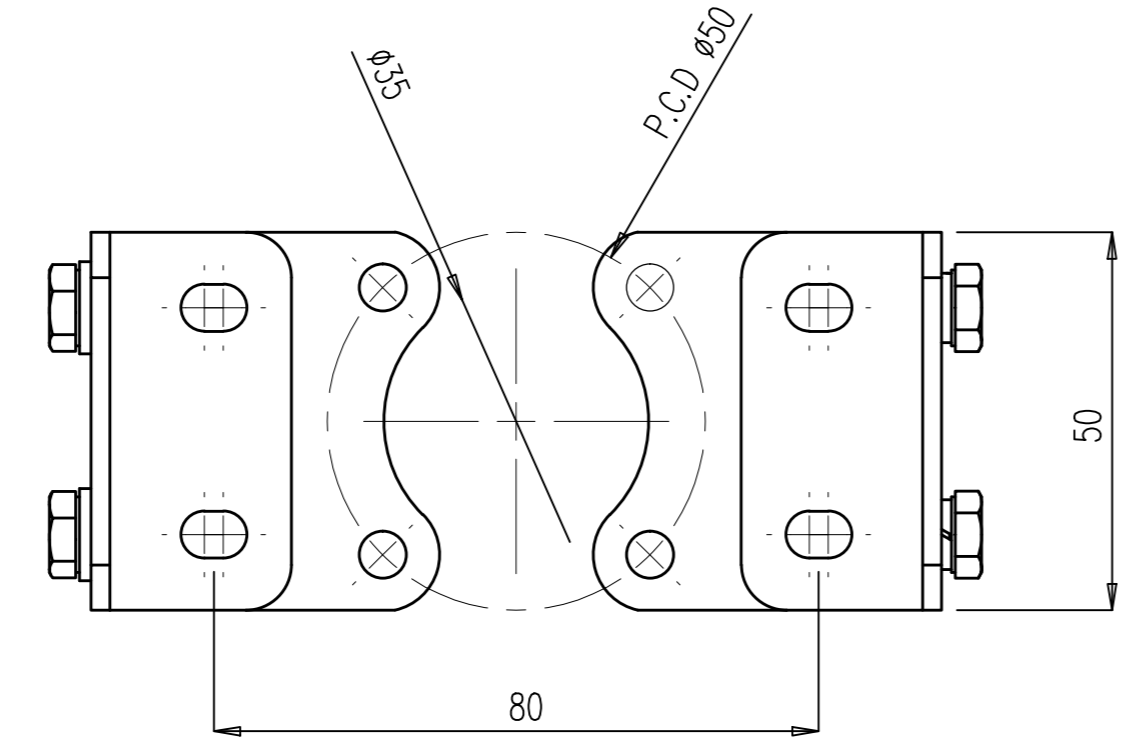
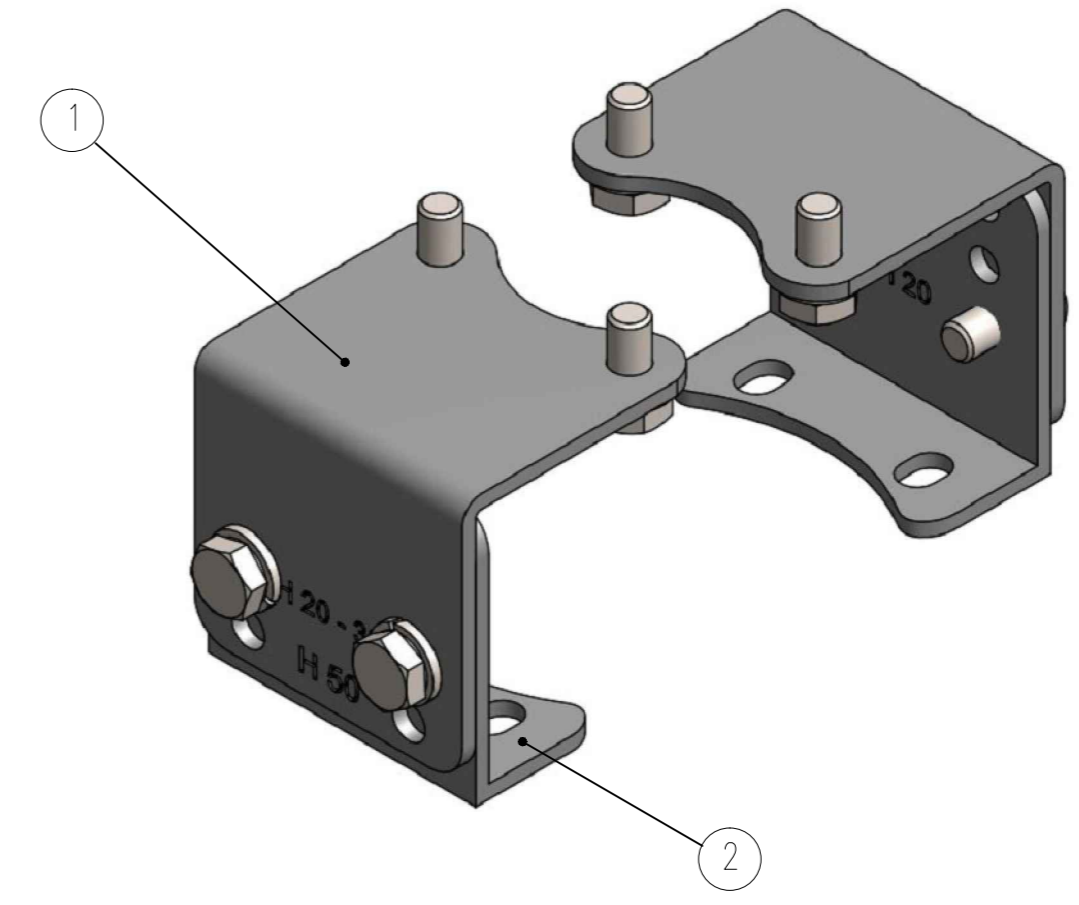
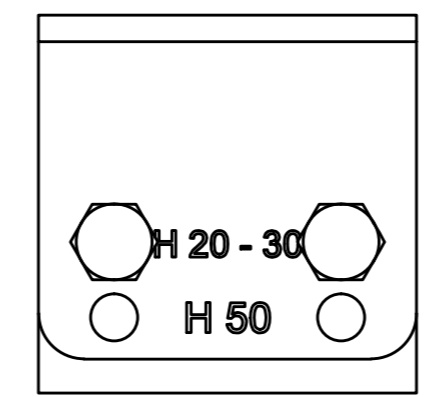
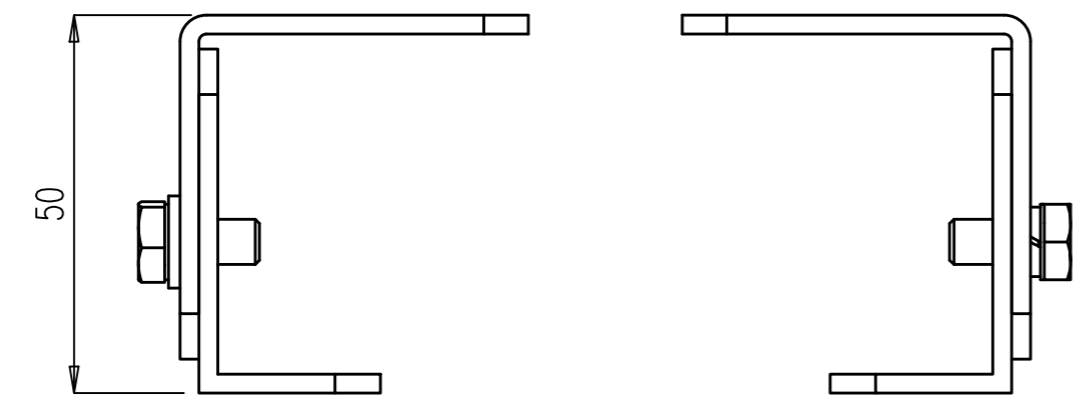
IF IN DOUBT ASK !

DO NOT SCALE PRINT !

DRAWING TO BS 8888



Item	Description	Material	Comment
1	NERB-100-08002a	SUS304	-
2	NERB-100-08001a	SUS304	-
3	JIS B 1180 Continuous thread hexagon head bolt A M6 x 12 --N		-



J+J automation
VALVE ACTUATION SPECIALISTS

J+J Automation UK Limited
Unit 5-6 Lime Tree Business Park
Lime Tree Road, Matlock, Derbyshire DE4 3EJ
England. UK.
Tel No: (+44) 1629 55577
Email: info@jjautomation.com
www.jjautomation.com

THIS DRAWING IS CONFIDENTIAL AND IS NOT TO BE REPRODUCED WITHOUT THE WRITTEN CONSENT OF J+J Automation UK Limited



TITLE Exia ROTARY E/P POSITIONER BRACKET

STOCK CODE PG-SS2R-BRACKET-CAD DIM ARE mm
SCALE 1:1

PG-SS2R-BRACKET-CAD

DRAWING NUMBER SHEET 1 OF 1

JRM	DKC	SBW	NEW	DATE	
				23.08.17	
APPROVED BY	CHECKED BY	DRAWN BY	ISSUE	CHANGE NO.	DATE

