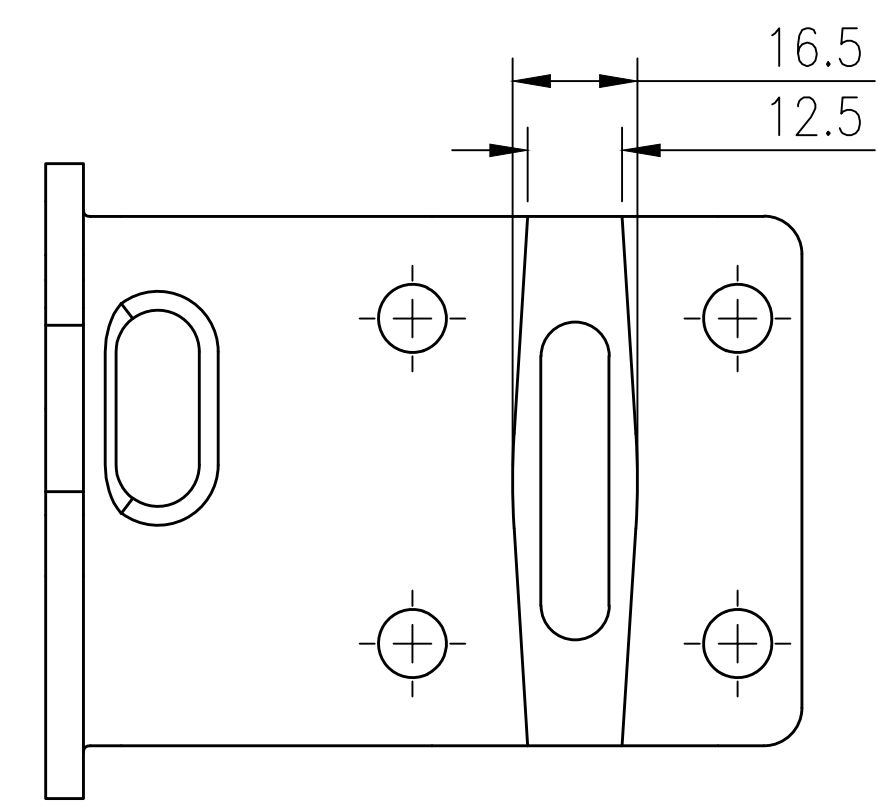
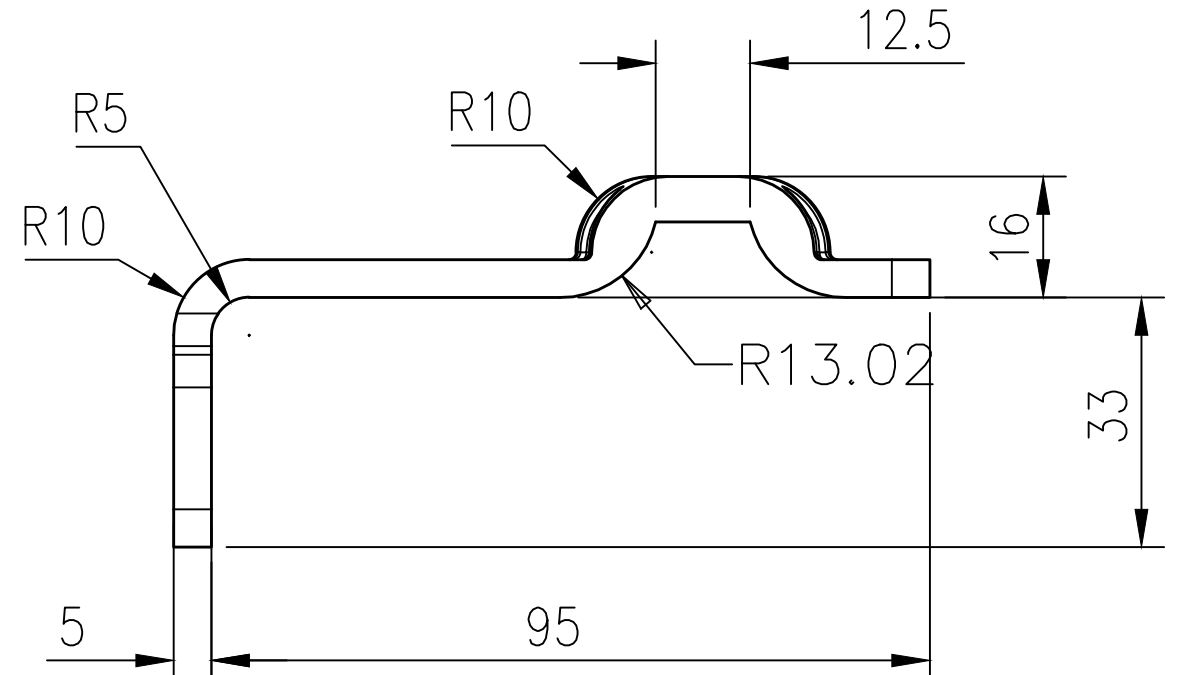
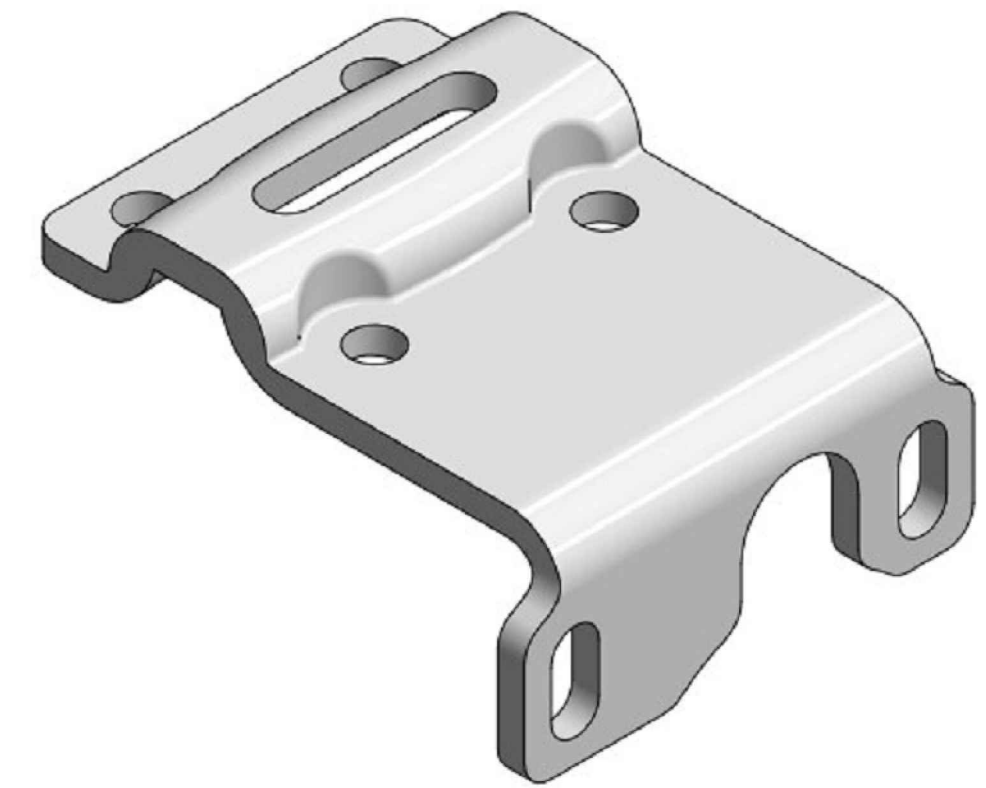
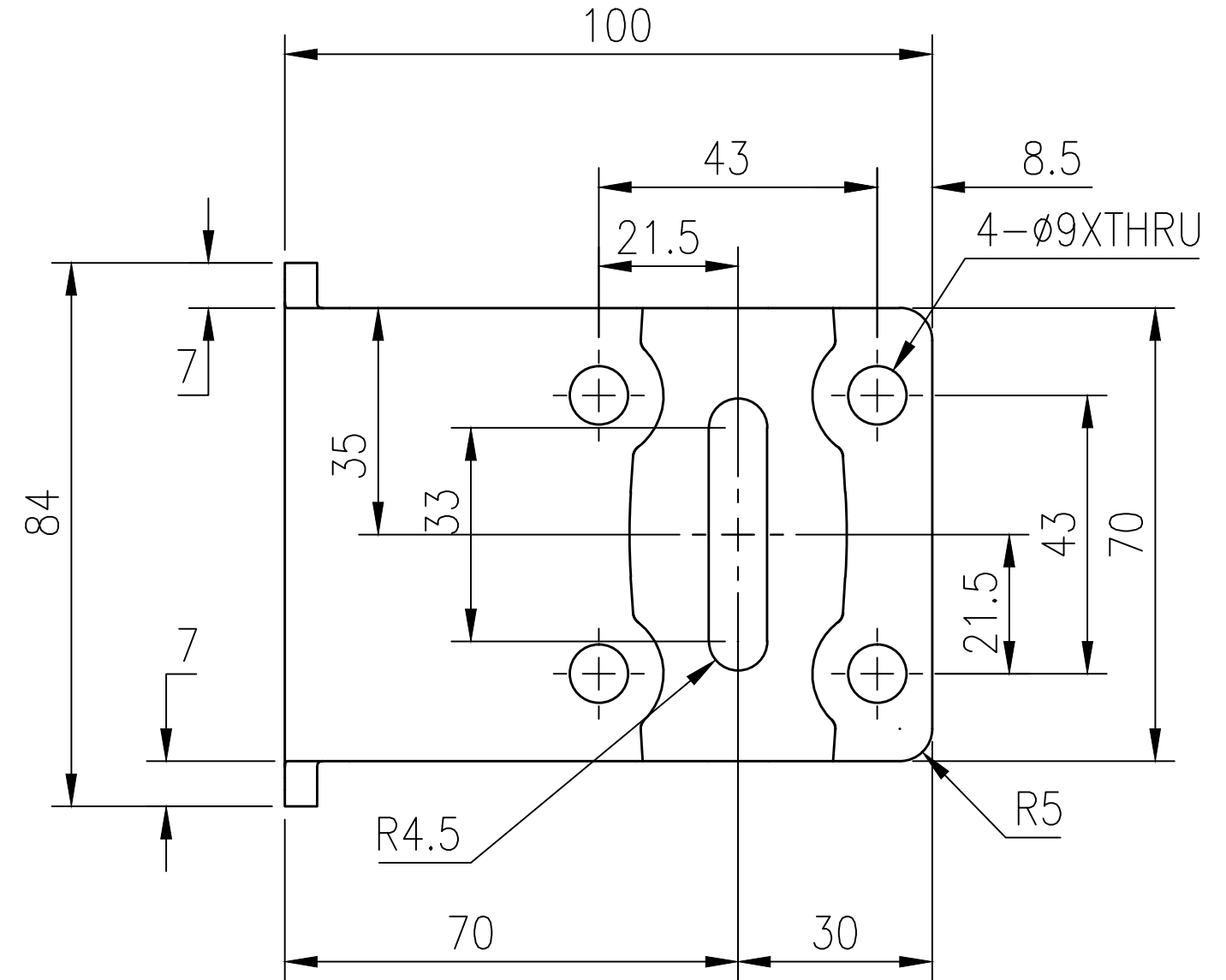
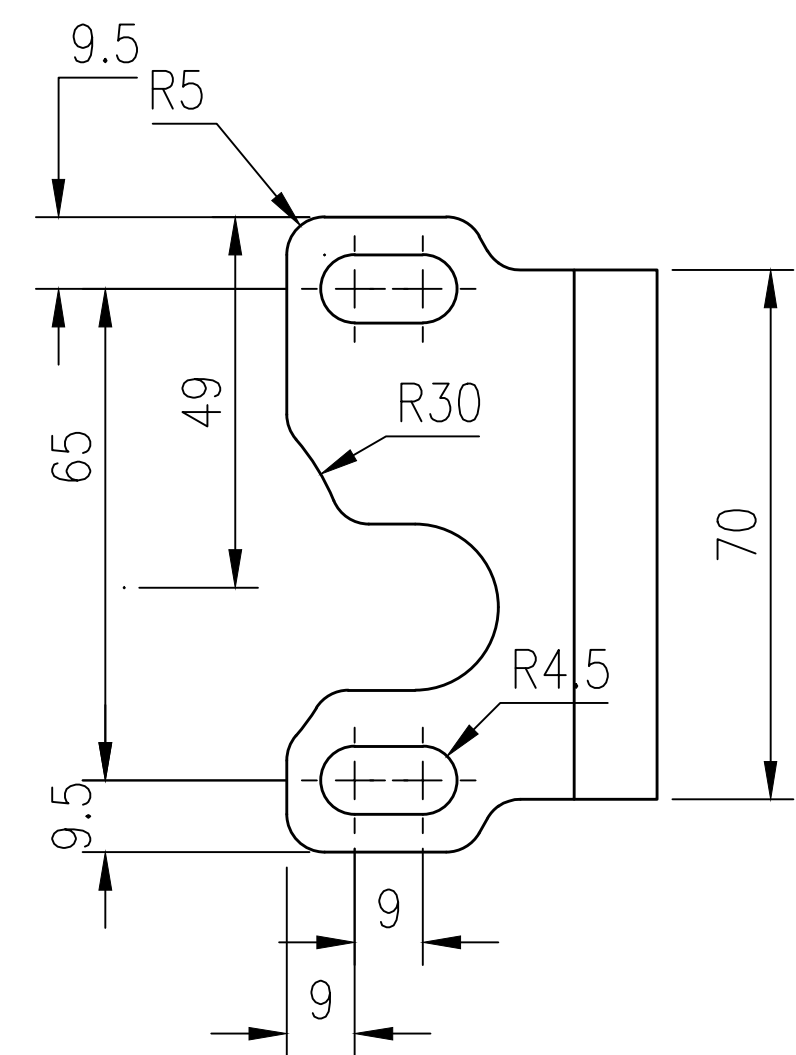


IF IN DOUBT ASK!

DO NOT SCALE PRINT!

DRAWING TO BS 8888



- NOTE -
1. MATERIAL : SUS304

J.J automation
J+J Automation UK Limited
 Unit 5-6 Lime Tree Business Park
 Lime Tree Road, Matlock, Derbyshire DE4 3EJ
 England, UK.
 Tel No: (+44) 1629 55577
 Email: info@jjautomation.com
 www.jjautomation.com

TITLE Exia LINEAR E/P POSITIONER BRACKET

STOCK CODE PG-SS2L- BRACKET-CAD DIM ARE mm

SCALE 1:1

PG-SS2L- BRACKET-CAD

DRAWING NUMBER SHEET 1 OF 1

JRM	DKC	SBW	NEW	23.08.17
APPROVED BY	CHECKED BY	DRAWN BY	ISSUE	CHANGE NO.

