

J3CS Smart Electric Actuator Function: FAILSAFE MODULATING CONTROL , FAILS SAFE ON POWER FAILURE



Type: E4805GS

Electric actuator direct mounted



Type: E4816GS

Electric actuator fitted via kit

Main J3CS Smart electric actuator features:

- LED light for continual visual actuator status feedback.
- Fully weatherproof smart industrial actuator.
- Multi-voltage 24-240V capable actuator.
- All external electrical connections, no need to remove cover .
- Selectable manual override facility.
- Thermostatic anti-condensation heater.
- Electronic torque limiter.
- End of travel switches for remote open/ closed indication.
- CE marked.
- EU manufactured by J+J.

Applications:

Water, oil, air and most non-corrosive media, subject to compatibility with wetted parts in contact with media. Not recommended for use on steam. Do not use on potable water.

Electrical actuators sized on a maximum differential pressure of 10 bar wet service, operated at least once per day. If the intended duty differs from these parameters or is dry (air or gas), call to check JJ actuator sizing as a larger output valve actuator may be required.

Maximum working temperature of a direct mounted assembly is +70C. For higher working temperatures , consider models that have a mounting kit or TSM stem extension between the valve and actuator which uses air cooling to dissipate the rising heat from the valve away from the actuator. Should the J3CS smart actuator see more than +70C it will malfunction.

Specifications:	
Actuator housing	UV Protected Polyamide
Supply voltage range	24-240V AC or DC
IP Rating	IP67
Actuator temp limits	-20 to +70°C
Assembly temp limits	E4806GS +70°C Direct mounted
	E4816GS +130°C Mounted via kit
	E4826GS +100°C Mounted via ext'n
Valve body	Ductile Iron GGG40
Valve ball	304 Stainless steel
Valve seats	RPTFE
Valve Pressure rating	16 Bar
Valve temp limits	-30 to +180°C
Size range	1/2" to 6"

Ball valve information:

Full bore 2 piece construction, flanged PN16, providing full unrestricted flow and a very low pressure drop across the valve. Designed for automation with integrally cast ISO5211 actuator mounting platform. Turning the ball through 90° fully opens the valve, turning back through 90° fully closes the valve and isolates the flow. End connections are flanged PN16. Valve made in China.

These ball valves are ideal for general service applications.

Typical KV Values

Size	1/2"	3/4"	1"	1 1/4"	1 1/2"	2"	2 1/2"	3"	4"
KV	22.3	47.7	83.5	150.4	255	435	672	947	1508

J3CS Smart Electric Actuator Function: FAILSAFE MODULATING CONTROL, FAILS SAFE ON POWER FAILURE

J3CS FAILSAFE MODULATING ELECTRIC ACTUATOR

The J3CS Modulating is used where the position of the actuator is required to be set by a control input signal. Unlike an on-off electric actuator, a modulating actuator will rarely travel from open to closed in one movement, it may only be required to alter its position by a few degrees. This is achieved by installing our DPS (Digital Positioning System) - installed by J+J when ordered as a modulating electric actuator.

How this electric 1/4 turn valve works:

With external power permanently connected, movement of the J3CS actuator is then proportional to an input signal, typically 4-20mA or 0-10V. The DPS processor continually compares the physical position of the J3CS output shaft to the input signal, and if a difference exists, controls the motor to eliminate the difference. An output signal is provided as standard. The reaction from the J3CS actuator to a loss of control signal can be set as below.

Configuration options:

- 1) Closes on loss of control signal
- 2) Opens on loss of control signal
- 3) Stays put on loss of control signal

The DPS in the J3CS uses the latest magnetic position sensing technology which, when combined with digital processing, produces very accurate modulating control.

Adding the BSR (Battery 'Spring Return') plug and play function conversion kit to the J3CS modulating actuator, it becomes a J3CS failsafe modulating electric actuator.

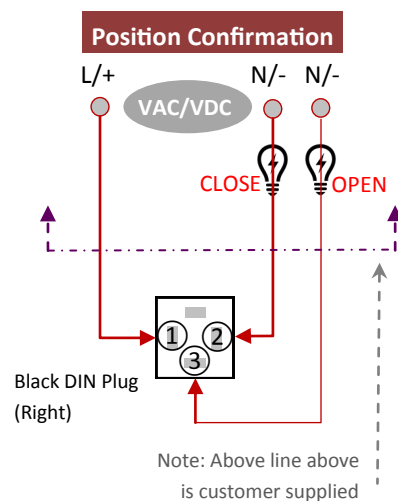
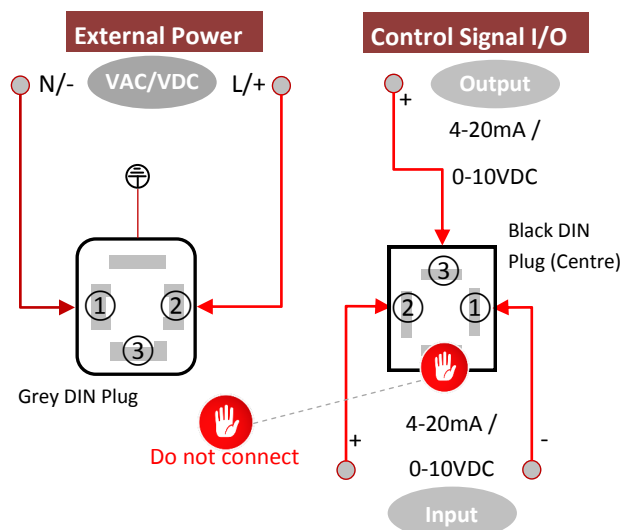
The advantage this gives is that the actuator will fail to either the open or closed position, depending on how the DPS positioner is configured, in the event of an external power failure.

The BSR failsafe system comprises of an industrial rechargeable NiCad battery and a PCB containing a trickle charger and control circuitry.

Whilst generally the J3CS failsafe modulating electric actuators are supplied with the BSR failsafe and DPS modulating kits pre-installed and function tested by J+J, the BSR and DPS kits can be supplied to be installed by the user into an on-off J3CS as they are very user friendly, simple to install and are plug and play. The DPS is self-calibrating so no complex set-up procedure is necessary.

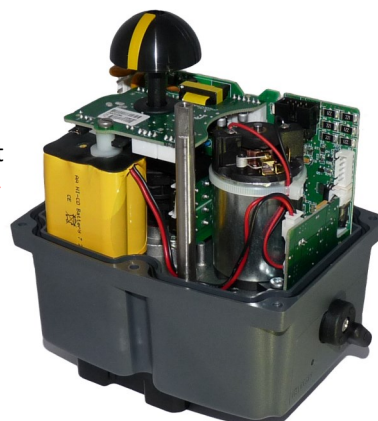
This is a very Smart Red Box.

J3CS FAILSAFE MODULATING WIRING



In J+J electric actuators all electrical connections are made externally using the external DIN plugs supplied with the actuator. There is no need to remove the valve actuator's cover to connect electrically. There are no terminals internally to connect to.

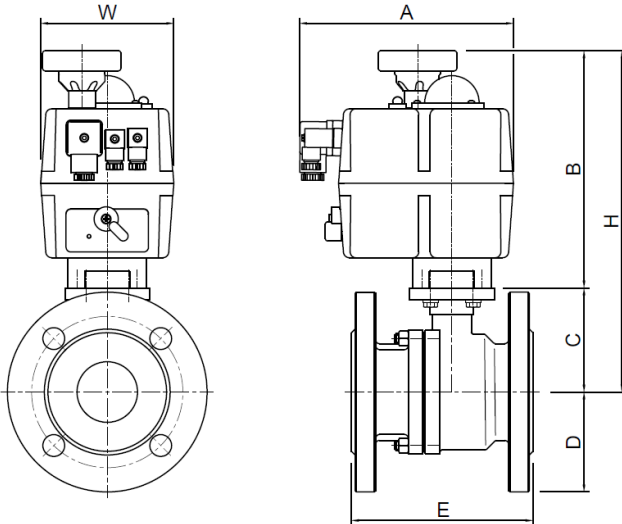
BSR Failsafe plug & play kit pre-installed to create **fail-safe modulating** function.



J3CS Smart Electric Actuator Function: FAILSAFE MODULATING CONTROL , FAILS SAFE ON POWER FAILURE

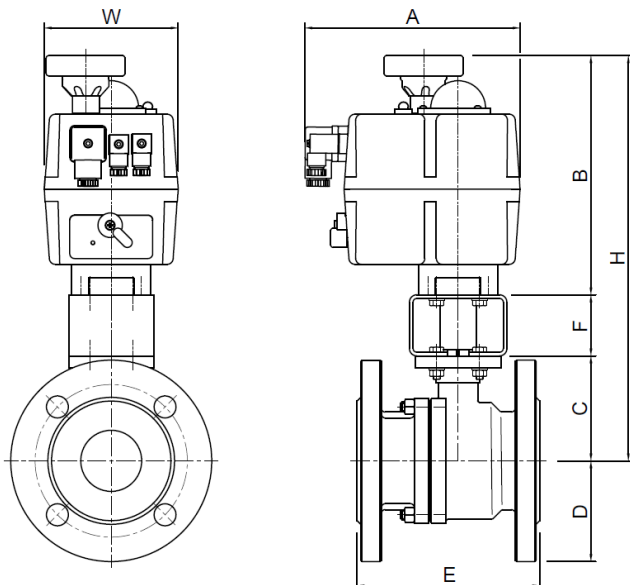
Type: **E4806GS** Actuator direct mounted to valve

Typical Dimensions:



E4806GS Dimensions remain unchanged for all versions						
- On-off, failsafe, modulating and failsafe modulating						
	Model	A	E	H	W	Kilos
1/2"	20	177	115	198	110	4.1
3/4"	20	177	120	203	110	4.7
1"	20	177	125	209	110	5.8
1 1/4"	35	177	130	244	128	7.0
1 1/2"	55	177	140	274	128	10.0
2"	55	177	150	282	128	12.4
2 1/2"	85	177	170	294	128	16.5
3"	85	177	180	309	128	23.0
4"	*140	235	190	390	214	27.6

Type: **E4816GS** Actuator fitted to valve via a bracket and drive adapter



E4816GS Dimensions remain unchanged for all versions							
- on-off, failsafe, modulating & failsafe modulating							
	Model	A	F	E	H	W	Kilos
1/2"	20	177	50	115	248	110	4.3
3/4"	20	177	50	120	253	110	5.0
1"	20	177	50	125	259	110	6.0
1 1/4"	35	177	50	130	294	128	7.2
1 1/2"	55	177	50	140	324	128	10.2
2"	55	177	50	150	332	128	12.6
2 1/2"	85	177	70	170	364	128	17.1
3"	85	177	70	180	379	128	23.6
4"	*140	235	70	190	460	214	28.2