

Model U-0 Unidirectional IP65 Weatherproof Electric Actuator



General:

The U-0 is a base entry electric actuator offering unidirectional travel (rotates in the same direction), manual override and 2 volt free position confirmation switches as standard.

With the same wiring connections for AC & DC power supplies and with external DIN plug connections, eliminating the need to remove the actuator's cover to connect, the U-0 is quick and easy to install.

Specifications:

Housing	Polyamide (Nylon 6)
Duty rating	35%
Drive connection	ISO5211 & DIN 3337
Electrical connection	External via DIN plugs
Torque output	15Nm break, 15Nm running
Temp range	-10°C to +50°C
Working time	Varies with supply voltage
Supply voltages	12, 24V DC; 24, 110 & 240AC
Current 240V	200 mA
Current 110V	350mA
Weight	1.5 kg

Installation:

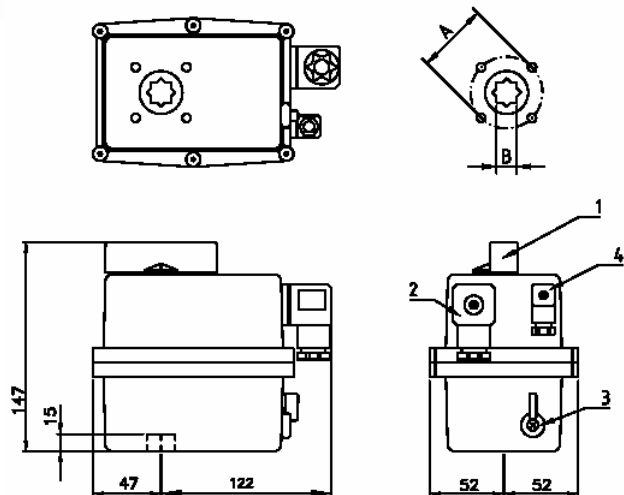
The U-0 actuator is remarkably simple to install as all electrical connections are made WITHOUT removing the actuator's cover - the supplied DIN plugs are wired in accordance with the opposite wiring diagram, re-connected to the actuator and the U-0 is ready for use. The U-0 can be mounted in any orientation but vertical orientation is preferred. Read supplied installation & operating instructions before use.

Features:

- > Separate models 12V DC to 240V AC
- > Manual override
- > Local & remote position indication
- > External DIN plug connections
- No need to remove cover to connect
- > Corrosion resistant housing
- > IP65 weatherproof
- > Economically priced

TYPE U-0

Dimensions:



On/off, stays put on power failure: Type J2-H20

- | | | |
|---|--|---------------|
| 1 | Manual override & local position indicator | A: F03 or F05 |
| 2 | Power supply DIN plug | B: 11 or 14mm |
| 3 | Manual override selector lever | A: ISO5211 |
| 4 | Volt free limit switch DIN plug | B: DIN3337 |

Wiring Diagram (AC or DC):

