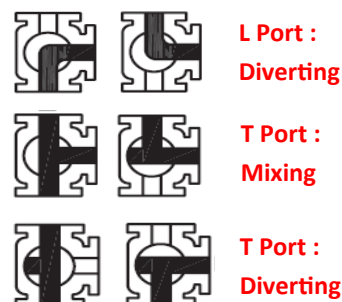
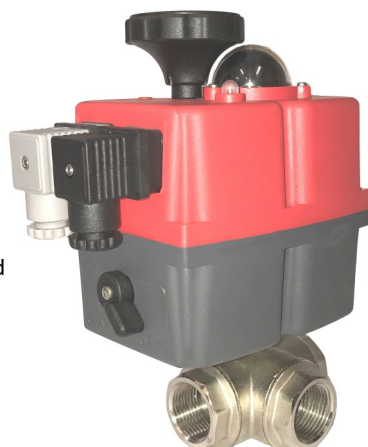


J3CS Smart Electric Actuator Function: FAILSAFE MODULATING CONTROL , FAILS SAFE ON LOSS OF POWER

Type: E1306S

Electric actuator direct mounted



3 Way Ball Valve - Flow paths

L Port: Divert duty only

T Port: Divert or Mixing duties

Main J3CS Smart electric actuator features:

- LED light for continual visual actuator status feedback.
- Fully weatherproof smart industrial actuator.
- Multi-voltage 24-240V capable actuator.
- All external electrical connections, no need to remove cover .
- Selectable manual override facility.
- Thermostatic anti-condensation heater.
- Electronic torque limiter.
- End of travel switches for remote open/ closed indication.
- CE marked.
- EU manufactured by J+J.

Applications:

Water, oil, air and most non-corrosive media, subject to compatibility with wetted parts in contact with media. Not for use on potable water & NOT recommended for use on steam.

Electrical actuators sized on a maximum differential pressure of 10 bar wet service, operated at least once per day. If the intended duty differs from these parameters, or is dry (air or gas) call to check JJ valve actuator sizing as a larger output actuator may be required.

Maximum working temperature of a direct mounted assembly is +70C. For higher working temperatures , consider models that have a mounting kit or TSM stem extension between the valve and smart actuator which uses air cooling to dissipate the rising heat from the valve away from the valve actuator. Should the J3CS smart actuator see more than +70C it will malfunction.

Kv Values

Size	1/4"	3/8"	1/2"	3/4"	1"	1 1/4"	1 1/2"	2"
Kv	2.8	3.0	3.9	7.9	13.0	20.7	38.7	54.0

Kv = m³ per hour with a 1 bar pressure drop across the valve

Cv = US gallons per hour with a 1psi pressure drop across the valve

Cv = Kv / 0.86

Specifications:	
Actuator housing	UV Protected Polyamide
Supply voltage range	24-240V AC or DC
IP Rating	IP67
Actuator temp limits	-20 to +70°C
Assembly temp limits	E1306S +70°C Direct mounted
	E1316S +105°C Mounted via kit
	E1326S +100°C Mounted via ext'n
Valve body	Nickel plated brass
Valve ball	Chrome plated brass
Valve seats	PTFE
Valve Pressure rating	UTI 3/4" 30 bar , rest 16 bar at ambient temp
Valve temp limits	-20 to +120°C
Size range	1/4" to 2"

3 Way ball valve information:

Full bore 3 way ball valve providing full flow and a relatively low pressure drop across the valve. Designed for automation with integrally cast ISO5211 actuator mounting platform. End connections are threaded BSP female.

3 Way brass ball valves are used to change the direction of flow as opposed to 2 way ball valves that simply isolate the flow, and are available as either a L-port or T-port design. L-port diverter valves typically divert flow from the centre port to either output port. T-port valves are used for either mixing or diverting type flow functions. As a diverting valve the T port valve provides straight through flow in one position.

J3CS Smart Electric Actuator Function: FAILSAFE MODULATING CONTROL , FAILS SAFE ON LOSS OF POWER

J3CS FAILSAFE MODULATING ELECTRIC ACTUATOR

The J3CS Modulating is used where the position of the actuator is required to be set by a control input signal. Unlike an on-off electric actuator, a modulating actuator will rarely travel from open to closed in one movement, it may only be required to alter its position by a few degrees. This is achieved by installing our DPS (Digital Positioning System) - in stalled by J+J when ordered as a modulating electric actuator.

How this electric 1/4 turn valve works:

With external power permanently connected, movement of the J3CS actuator is then proportional to an input signal, typically 4-20mA or 0-10V. The DPS processor continually compares the physical position of the J3CS output shaft to the input signal, and if a difference exists, controls the motor to eliminate the difference. An output signal is provided as standard. The reaction from the J3CS actuator to a loss of control signal can be set as below.

Configuration options:

- 1) Closes on loss of control signal
- 2) Opens on loss of control signal
- 3) Stays put on loss of control signal

The DPS in the J3CS uses the latest magnetic position sensing technology which, when combined with digital processing, produces very accurate modulating control.

Adding the BSR (Battery 'Spring Return') plug and play function conversion kit to the J3CS modulating actuator, it becomes a J3CS failsafe modulating electric actuator.

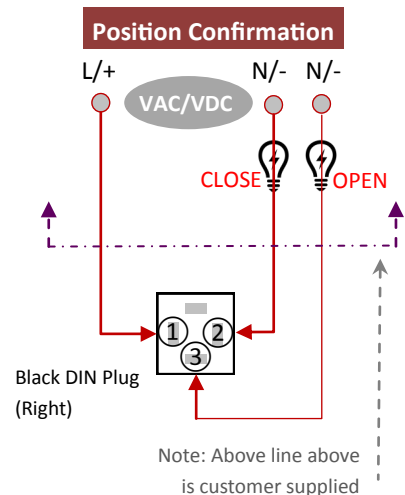
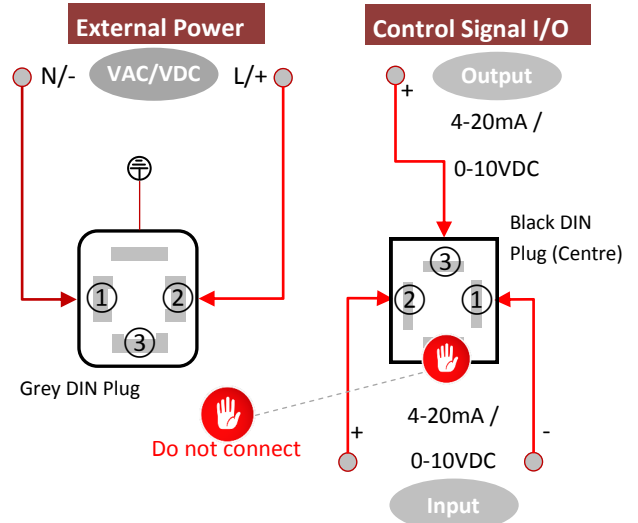
The advantage this gives is that the actuator will fail to either the open or closed position, depending on how the DPS positioner is configured, in the event of an external power failure.

The BSR failsafe system comprises of an industrial rechargeable NiCad battery and a PCB containing a trickle charger and control circuitry.

Whilst generally the J3CS failsafe modulating electric actuators are supplied with the BSR failsafe and DPS modulating kits pre-installed and function tested by J+J, the BSR and DPS kits can be supplied to be installed by the user into an on-off J3CS as they are very user friendly, simple to install and are plug and play. The DPS is self calibrating so no complex set-up procedure is necessary.

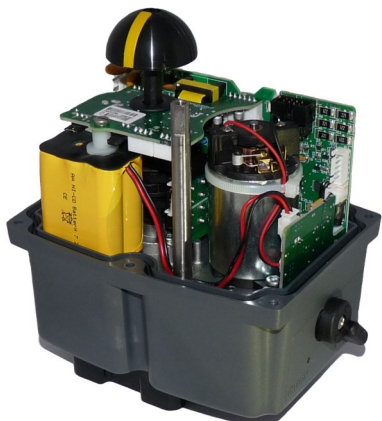
This is a very Smart Red Box.

J3CS FAILSAFE MODULATING WIRING



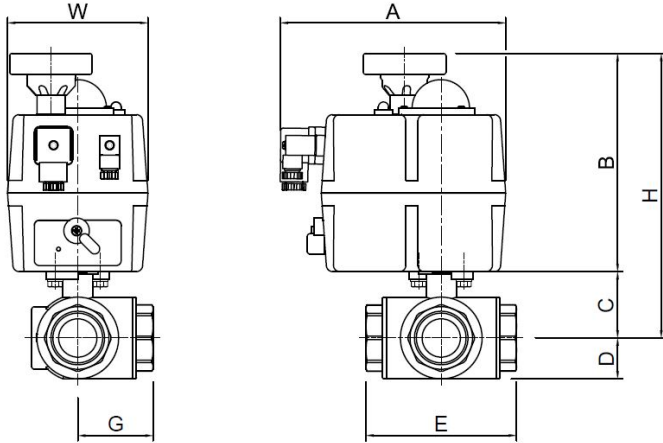
In J+J electric actuators all electrical connections are made externally using the external DIN plugs supplied with the actuator. There is no need to remove the valve actuator's cover to connect electrically. There are no terminals internally to connect to.

BSR Failsafe plug & play kit pre-installed to create fail-safe modulating function.



J3CS Smart Electric Actuator Function: FAILSAFE MODULATING CONTROL , FAILS SAFE ON LOSS OF POWER

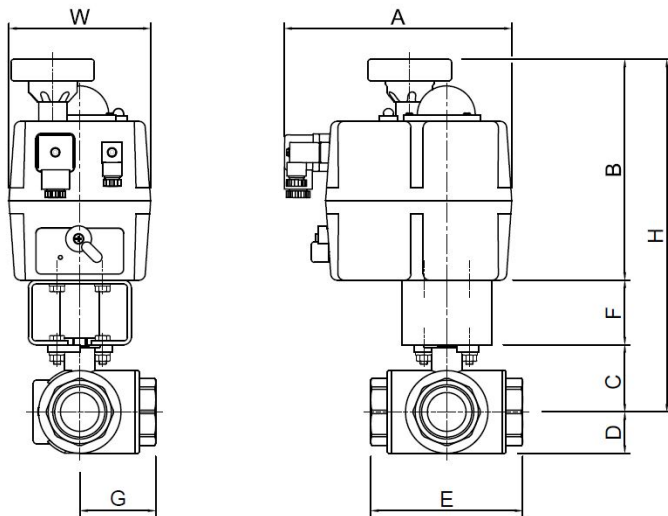
Type: E1306S Actuator direct mounted to valve



Typical Dimensions:

E1306S Dimensions remain unchanged for all versions							
- On-off, failsafe, modulating and failsafe modulating							
	Model	A		E	H	W	Kilos
1/4"	20	177		67	180	110	2.1
3/8"	20	177		67	180	110	2.1
1/2"	20	177		77	182	110	3.7
3/4"	20	177		87	191	110	2.6
1"	20	177		105	196	110	3.1
1 1/4"	20	177		123	209	110	4.3
1 1/2"	35	177		139	245	110	6.6
2"	55	177		166	281	110	10.8

Type: E1316S Actuator fitted to valve via a bracket and drive adapter



E1316S Dimensions remain unchanged for all versions							
- on-off, failsafe, modulating & failsafe modulating							
	Model	A	F	E	H	W	Kilos
1/4"	20	177	50	67	230	110	2.3
3/8"	20	177	50	67	230	110	2.3
1/2"	20	177	50	77	232	110	3.9
3/4"	20	177	50	87	241	110	2.8
1"	20	177	50	105	246	110	3.3
1 1/4"	20	177	50	123	259	110	4.5
1 1/2"	35	177	70	139	295	110	6.8
2"	55	177	70	166	331	110	11.1

Type: E1326S Actuator fitted to valve via a tubular stem extension

E1326S Dimensions remain unchanged for all versions							
- on-off, failsafe, modulating & failsafe modulating							
	Model	A	E	F	H	W	Kilos
1/4"	20	177		67		110	
3/8"	20	177		67		110	
1/2"	20	177		77		110	
3/4"	20	177		87		110	
1"	20	177		105		110	
1 1/4"	20	177		123		110	
1 1/2"	20	177		139		110	
2"	20	177		166		110	