

J3CS Smart Electric Actuator Function: POWER OPEN - POWER CLOSE , FAILS 'SAFE' ON POWER FAILURE



Type: E2604S

Electric actuator direct mounted

Main J3CS Smart electric actuator features:

- LED light for continual visual actuator status feedback.
- Fully weatherproof smart industrial actuator.
- Multi-voltage 24-240V capable actuator.
- All external electrical connections, no need to remove cover .
- Selectable manual override facility.
- Thermostatic anti-condensation heater.
- Electronic torque limiter.
- End of travel switches for remote open/ closed indication.
- CE marked.
- EU manufactured by J+J.

Applications:

Potable water (valve is not WRAS approved), food stuffs, oil, air and many corrosive media, subject to compatibility with wetted parts in contact with media.

J3 actuators are sized on a maximum differential pressure of 10 bar wet service, operated at least once per day. If the intended duty differs from these parameters or is dry (air or gas), call to check JJ actuator sizing as a larger output valve actuator may be required.

Maximum working temperature of a direct mounted assembly is +70C. For higher working temperatures , consider models that have a mounting kit or TSM stem extension between the valve and actuator which uses air cooling to dissipate the rising heat from the valve away from the actuator. Should the J3CS smart actuator see more than +70C it will malfunction.

Typical KV Values *Available 2 1/2" to 4" on factory lead times.

Size	1/4"	3/8"	1/2"	3/4"	1"	1 1/4"
KV	6.8	6.8	12.8	29.1	47.8	72.6
Size	1 1/2"	2"	2 1/2"	3"	4"	
KV	106.8	213.7	273.3*	495.3*	871.1*	

Specifications:	
Actuator housing	UV Protected Polyamide
Supply voltage range	24-240V AC or DC
IP Rating	IP67
Actuator temp limits	-20 to +70°C
Assembly temp limits	E2604S +70°C Direct mounted
	E2614S +130°C Mounted via kit
	E2624S +100°C Mounted via ext'n
Valve body	CF8M (Cast 316SS)
Valve ball	316SS
Valve seats	Virgin PTFE - Cavity filled
Valve Pressure rating	UTI 2" 64 bar at ambient temp
Valve temp limits	-20 to +200°C
Size range	1/4" to 2"

Ball valve information:

Full bore 3 piece construction, providing full unrestricted flow and a very low pressure drop across the valve. Designed for automation with integrally cast ISO5211 actuator mounting platform. Turning the ball through 90° fully opens the valve, turning back through 90° fully closes the valve and isolates the flow. End connections are imperial OD butt weld, but can be supplied with welded-on clamp ends, or RJT , on request.

The cavity filled PTFE seats eliminate the cavity between the outside of the ball and the inside of the valve body, which otherwise would fill with product when the valve was opening or closing, dramatically reducing the opportunity for bacteria to grow.

J3CS Smart Electric Actuator Function: POWER OPEN - POWER CLOSE , FAILS 'SAFE' ON POWER FAILURE

J3CS FAILSAFE ELECTRIC ACTUATOR

Power open, power close, fails to pre-set position on loss of external power. Typically fails closed, but can be set to fail open. The BSR Failsafe conversion kit is pre-installed by J+J.

How this electric 1/4 turn valve works (on-off):

Electrically operated valves are driven by a motor and gearbox. On receipt of a continuous voltage signal the motor runs and, via a gearbox in the J+J smart electric actuator, rotates the valve stem. The motor stops at the desired position (usually 0° or 90°) by internal cams striking micro-switches. The smart valve actuator remains in this position, with the voltage still applied continuously, until switched and a continuous voltage reversing signal is applied, which runs the motor in the opposite direction, reversing the rotation until separate set of internal cams strike separate set of micro-switches.

Options:

It is possible to change the J3CS actuator's function by installing user friendly plug and play function conversion kits. These will provide the following alternative functions:

Failsafe Modulating J3CS Actuator

Movement of the J3CS actuator is proportional to an input control signal, typically 4-20mA or 0-10V, but by installing our DPS (Digital Positioning System) user friendly plug and play kit, it will fail to the desired pre-set position on loss of external power. There are also options for how the J3CS modulating reacts to loss of the control signal as follows:

Configuration options:

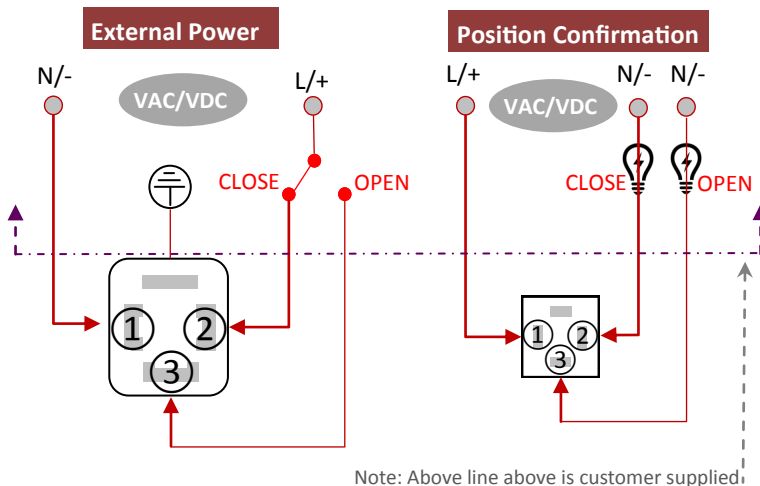
- 1) Closes on loss of control signal, or on loss of power
- 2) Opens on loss of control signal, or on loss of power
- 3) Stays put on loss of control signal



DPS Modulating plug & play kit can be installed with the BSR failsafe kit to create failsafe modulating function.

Electrical Connection - Wiring of DIN Plugs

J3CS FAILSAFE WIRING



In J+J electric actuators all electrical connections are made externally using the external DIN plugs supplied with the actuator. There is no need to remove the valve actuator's cover to connect electrically. There are no terminals internally to connect to.

Pre-installed Plug & Play Function Conversion Kit:



BSR Failsafe plug & play kit (already installed by J+J in the failsafe version)

How the BSR (Battery 'Spring Return') system works:

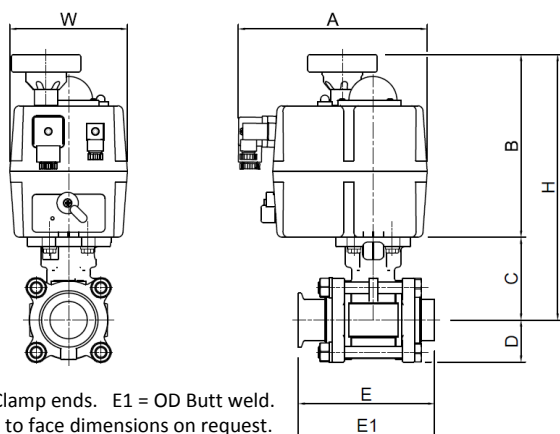
The user friendly BSR failsafe function plug and play conversion kit adds an industrial NiCad rechargeable battery and PCB to the standard power open, power close J3CS actuator. The electric actuator continues to operate power open, power close, and whilst doing so, the battery is constantly trickle charged to keep it fully charged.

When external power is lost, a switch in the BSR PCB draws internal power from the battery to send the J3CS to the desired pre-set 'safe' position, if not already in that position.

J3CS Smart Electric Actuator Function: POWER OPEN - POWER CLOSE , FAILS 'SAFE' ON POWER FAILURE

Type: **E2604S** Actuator direct mounted to valve

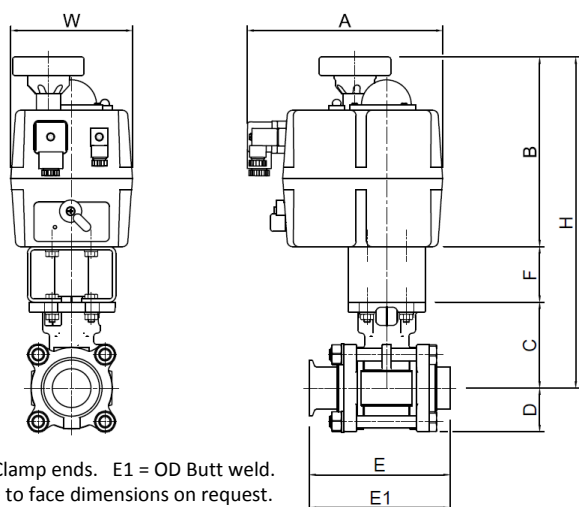
Typical Dimensions:



E = Clamp ends. E1 = OD Butt weld.
Face to face dimensions on request.

E2604S Dimensions remain unchanged for all versions						
- On-off, failsafe, modulating and failsafe modulating						
	Model	A	E/E1	H	W	Kilos
≤1/2"	20	177		213	110	2.2
3/4"	20	177		219	110	2.3
1"	20	177		228	110	2.8
1 1/4"	20	177		232	110	3.4
1 1/2"	35	177		249	110	5.0
2"	55	177		281	110	6.6

Type: **E2614S** Actuator fitted to valve via a bracket and drive adapter



E = Clamp ends. E1 = OD Butt weld.
Face to face dimensions on request.

E2614S Dimensions remain unchanged for all versions							
	Model	A	F	E/E1	H	W	Kilos
≤1/2"	20	177	50		263	110	2.4
3/4"	20	177	50		269	110	2.5
1"	20	177	50		278	110	3.0
1 1/4"	20	177	50		282	110	3.6
1 1/2"	35	177	50		299	110	5.2
2"	55	177	50		331	110	6.9

Type: **E2624S** Actuator fitted to valve via a tubular stem extension

E2624S Dimensions remain unchanged for all versions							
- on-off, failsafe, modulating & failsafe modulating							
	Model	A	E	E1	H	W	Kilos
≤1/2"	20	177				110	
3/4"	20	177				110	
1"	20	177				110	
1 1/4"	20	177				110	
1 1/2"	35	177				110	
2"	55	177				110	